

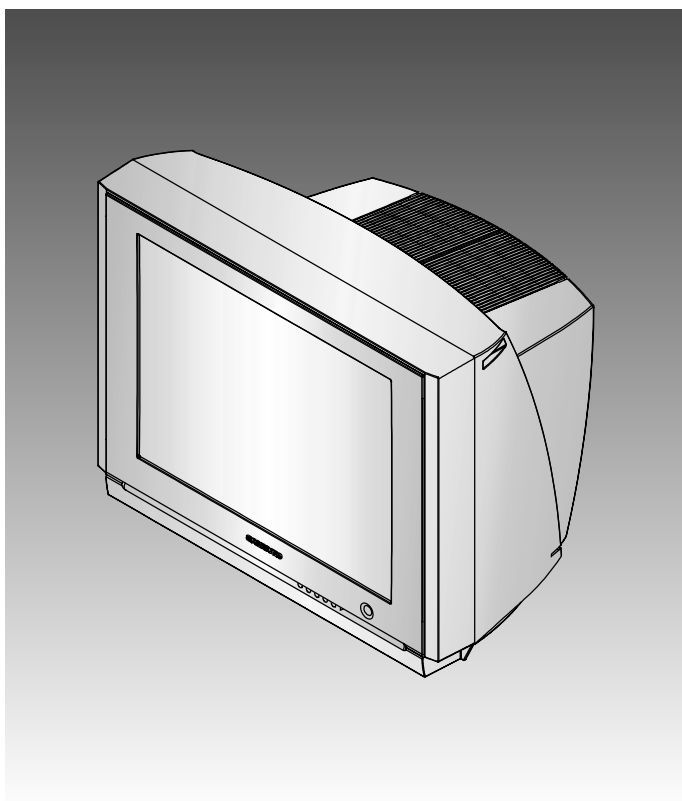
SAMSUNG

COLOR TELEVISION RECEIVER

Chassis : K57A(N)
Model : CL21M6WKX/XAO
CL21A11MQKXXAX

SERVICE *Manual*

COLOR TELEVISION RECEIVER



CONTENTS

1. Precautions
2. Specifications and IC Data
3. Disassembly and Reassembly
4. Alignment and Adjustment
5. Troubleshooting
6. Exploded View and Parts List
7. Electrical Parts List
8. Block Diagram
9. Wiring Diagram
10. Schematic Diagrams

2-2 IC Line Up

Table 2-1 IC Line-Up			
Loc. No	Specification	Description	Remark
IC201S	SPM-464A	TDA9592 PS/NI, SPM-464A,64P	Philips
IC301	LA7845	VERTICAL OUTPUT	Sanyo
IC501	TDA6108QJF	RGB DRIVE AMP	Philips
IC602	TDA7297	SOUND-AMP (15W x 2CH)	Philips
IC801S	KA5Q1265R	POWER IC (STR)	FIAIR CHILD
IC802	KA7632	CUSTOM REGULATOR (5V, 8V, 3.3V)	FIAIR CHILD
IC202	M24C08	EEPROM	
PC801S PC802S	TCET1108 / LTV817B	PHOTO COUPLER	
IC101	LA7510	IF DETECTOR-IC	TEMIC
IC601	MSP-3425G-B8	Sound Processor	Micronas
ICP01	VIPER12AD1P	PWM CONTRO CER-IC	
ICW01	NJM2235D	VIDEO Swiching-IC	
ICG01	4558	OP AMP-IC	

4. Alignment and Adjustments

4-1 Preadjustment

4-1-1 Factory Mode

1. Do not attempt these adjustments in the Video Mode.
2. The Factory Mode adjustments are necessary when either the EEPROM (IC202) or the CRT is replaced.
3. Do not tamper with the "Adjustment" screen of the Factory Mode menu. This screen is intended only for factory use.

4-1-2 When EEPROM (IC202) Is Replaced

1. When IC202 is replaced all adjustment data revert to initial values. It is necessary to re-program this data.
2. After IC202 is replaced, warm up the TV for 10 seconds.

4-1-3 When CRT Is Replaced

1. Make the following adjustments AFTER setting up after setting up purity and convergence :

White Balance
 Sub-Brightness
 Vertical Center
 Vertical Size
 Horizontal Size
 Fail Safe (This adjustment must be the last step).

2. If the EEPROM or CRT is replaced and set SC as 30(factory mode).

4-2 Factory/Service Mode

4-2-1 Procedure for the "Adjustment" Mode

1. This mode uses the standard remote control. The Service Mode is activated by entering the following remote-control sequence :
 - (1) DISPLAY → FACTORY.
 - (2) STAND-BY → MUTE → 1 → 8 → 2 → POWER ON.
2. The "SERVICE (FACTORY)" message will be displayed. The Service Mode has four components: ADJUST, OPTION , G2-ADJUST and RESET.
3. Access the Adjustment Mode by pressing the "VOLUME" keys (Up or Down). The adjustment parameters are listed in the accompanying table, and selected by pressing the CHANNEL keys (▲, ▼).
4. Selection sequences for the all system:

DOWN or UP key:

SCT>SBT>BLR>BLB>RG>GG>BG>VSL>VS>VA>HS>SC>CDL>STT>AKB>NDL>NSR>SCBT>VOL>CAP>MVOL>RP00>RP01>AGCS>OMD>SCL>PWL>MUS>AGC>HPAR>HBOW>EWID>EPAR>EUCN>ELCN>ETRP>VZ>SVM>VMA>SSP>PSNS>DNSR>DSBT>DCDL>DBLR>DBLB>DSK
5. The VOLUME keys increase or decrease the adjustment values (stored in the non-volatile memory) when Adjustment Mode is cancelled.
6. Cancel the Adjustment Mode by re-pressing the "FACTORY" or "Power OFF" keys.

4-2-2 Main Adjustment Parameter

NO	OSD	FUNCTION	RANGE	INITIAL DATA	SELECTION	REMARK
1	SCT	Sub Contrast	0 ~ 23	13		ADJ
2	SBT	Sub Brightness	0 ~ 23	9		ADJ
3	BLR	Black Level offset R	0 ~ 63	32		ADJ
4	BLB	Black Level offset B	0 ~ 63	32		ADJ
5	RG	Red Gain	0 ~ 63	28		ADJ
6	GG	Green Gain	0 ~ 63	25		FIX
7	BG	Blue Gain	0 ~ 63	31		ADJ
8	VSL	Vertical Slope	0 ~ 63	27		ADJ
9	VS	Vertical Shift	0 ~ 63	31		FIX
10	VA	Vertical Amplitude	0 ~ 63	32		ADJ
11	HS	Horizontal Shift	0 ~ 63	30		ADJ
12	SC	S-Correction	0 ~ 63	29		FIX
13	CDL	Cathode Drive Level	0 ~ 15	11		FIX
14	STT	Sub Tint	0 ~ 7	5		FIX
15	AKB	AKB On / off	0 ~ 1	0		FIX
16	NDL	NTSC Delay	0 ~ 15	1		FIX
17	NSR	NTSC Sub color	0 ~ 23	5		FIX
18	SCBT	Screen Brightness	0 ~ 63	36		FIX
19	VOL	Volume pre setting	0 ~ 63	10		FIX
20	CAP	Caption Position	0 ~ 15	12		FIX
21	MVOL	Melody Volume	0 ~ 50	7		FIX
22	RP00	Ratio Pre / overshoot	0 ~ 1	1		FIX
23	RP01	Ratio Pre / overshoot	0 ~ 1	1		FIX
24	AGCS	IF AGC Speed	0 ~ 3	1		FIX
25	OMD	Offset IF Demodulator	0 ~ 63	15		FIX
26	SCL	Soft Clipping Level	0 ~ 3	3		FIX
27	PWL	Peak White Limiting	0 ~ 15	15		FIX
28	MUS	Color Matrix	0 ~ 1	1		FIX
29	AGC	Automatic Gain Control	0 ~ 63	33		FIX
30	HPAR	Horizontal Parallelogram	0 ~ 63	32		ADJ
31	HBOW	Horizontal Bow	0 ~ 63	32		ADJ
32	EWID	EW Width	0 ~ 63	32		ADJ

NO	OSD	FUNCTION	RANGE	INITIAL DATA	SELECTION	REMARK
33	EPAR	EW Parabola	0 ~ 63	32		ADJ
34	EUCN	EW Upper Coner	0 ~ 63	12		ADJ
35	ELCN	EW Lower Coner	0 ~ 63	12		ADJ
36	ETRP	EW Trapezium	0 ~ 63	12		ADJ
37	VZ	Vertical Zoom	0 ~ 63	48		FIX
38	SVM	Delay of RGB to VM Output	0 ~ 3	0		FIX
39	VMA	Amplitude of SVM Output	0 ~ 3	3		FIX
40	SSP	Sub Sharpness	0 ~ 20	5		FIX
41	PSNS	Identification sens	0 ~ 1	1		FIX
42	DNSR	NSR in DVD mode	0 ~ 23	5		FIX
43	DSBT	SBT in DVD mode	0 ~ 23	4		FIX
44	DCDL	CDL in DVD mode	0 ~ 16	10		FIX
45	DBLR	BLR in DVD mode	0 ~ 63	32		FIX
46	DBLB	BLB in DVD mode	0 ~ 63	32		FIX
47	DSK	Dynamic Skin Tone Control	0 ~ 1	0		FIX

4-2-3 Option Bytes

In the Service Mode, various can be selected via the Option Table. Example:

Option Table : xx xx

	OSD	SETTING	REMARK
1	SYSTEM	CT-N EN/SP/FR	- Language
2	VIDEO MUTE	OFF	- Video Mute On/Off changing the channel
3	ZOOM	NOR/ZOOM	- Picture Size Option
4	AUTO POWER	OFF	- Master S/w Option
5	AUDIO MUTE	ON	- Audio Mute On/ Off without signal
6	START LANG.	ENGLISH	- Inital Language agter Factory Reset
7	HOTEL MODE	OFF	- Hotel mode On/ Off
8	BULE SCREEN	OFF	- Bule Screen On/ Off without signal
9	V-CHIP	ON	- V-CHIP ON/OFF (U.S.A)
10	AV OPTION	AV1/AV2/S-V/DVD	- AV + S-V + DVD
11	TILT	ON	- TILT ON/OFF
12	DEMO	OFF	- DEMO ON/OFF
13	EXT COMB	OFF	- External 2H-COM ON/OFF
14	V-Guard	ON	- Vertical Guard ON/OFF (*MAIN PCB A LOT : OFF)

4-2-4 RESET

The Reset Mode is used during factory inspection.
Function Reset:

- | | |
|-----------------|---------|
| 1. Picture Mode | Dynamic |
| 2. Sound Mode | Custom |
| 3. Auto Volume | Off |
| 4. Melody | On |
| 5. Surround | Off |
| 6. Turbo Sound | Off |
| 7. MTS | Stereo |
| 8. Language | English |
| 9. Caption | Off |
| 10. Timer | Off |

4-3 Other Adjustments

4-3-1 General

1. Usually, a color TV needs only slight touch-up adjustment upon installation. Check the basic characteristics such as height, horizontal and vertical sync and focus.
2. The picture should have good black and white details. There should be no objectionable color shading; if color shading is present, perform the purity and convergence adjustments described below.
3. Use the specified test equipment or its equivalent.
4. Correct impedance matching is essential.
5. Avoid overload. Excessive signal from a sweep generator might overload the front-end of the TV. When inserting signal markers, do not allow the marker generator to distort test results.
6. Connect the TV only to an AC power source with voltage and frequency as specified on the backcover nameplate.
7. Do not attempt to connect or disconnect any wires while the TV is turned on. Make sure that the power cord is disconnected before replacing any parts.
8. To protect against shock hazard, use an isolation transformer.

4-3-2 Automatic Degaussing

A degaussing coil is mounted around the picture tube, so that external degaussing after moving the TV should be unnecessary. But the receiver must be properly degaussed upon installation.

The degaussing coil operates for about 1 second after the power is switched ON. If the set has been moved or turned in a different direction, disconnect its AC power for at least 30 minutes.

If the chassis or parts of the cabinet become magnetized, poor color purity will result. If this happens, use an external degaussing coil. Slowly move the degaussing coil around the faceplate of the picture tube and the sides and front of the receiver. Slowly withdraw the coil to a distance of about 6 feet before removing power.

4-3-3 High Voltage Check

CAUTION: There is no high voltage adjustment on this chassis. The B+ power supply must be set to +130 volts (Full color bar input and normal picture level).

1. Connect a digital voltmeter to the second anode of the picture tube.
2. Turn on the TV. Set the Brightness and Contrast controls to minimum (zero beam current).
3. The high voltage should not exceed 33KV.
4. Adjust the Brightness and contrast controls to both extremes. Ensure that the high voltage does not exceed 33KV under any conditions.

4-3-4 FOCUS Adjustment

1. Input a black and white signal.
2. Adjust the tuning control for the clearest picture.
3. Adjust the FOCUS control for well defined scanning lines in the center area of the screen.

4-3-5 Cathode Voltage Adjustment (Screen Adjustment)

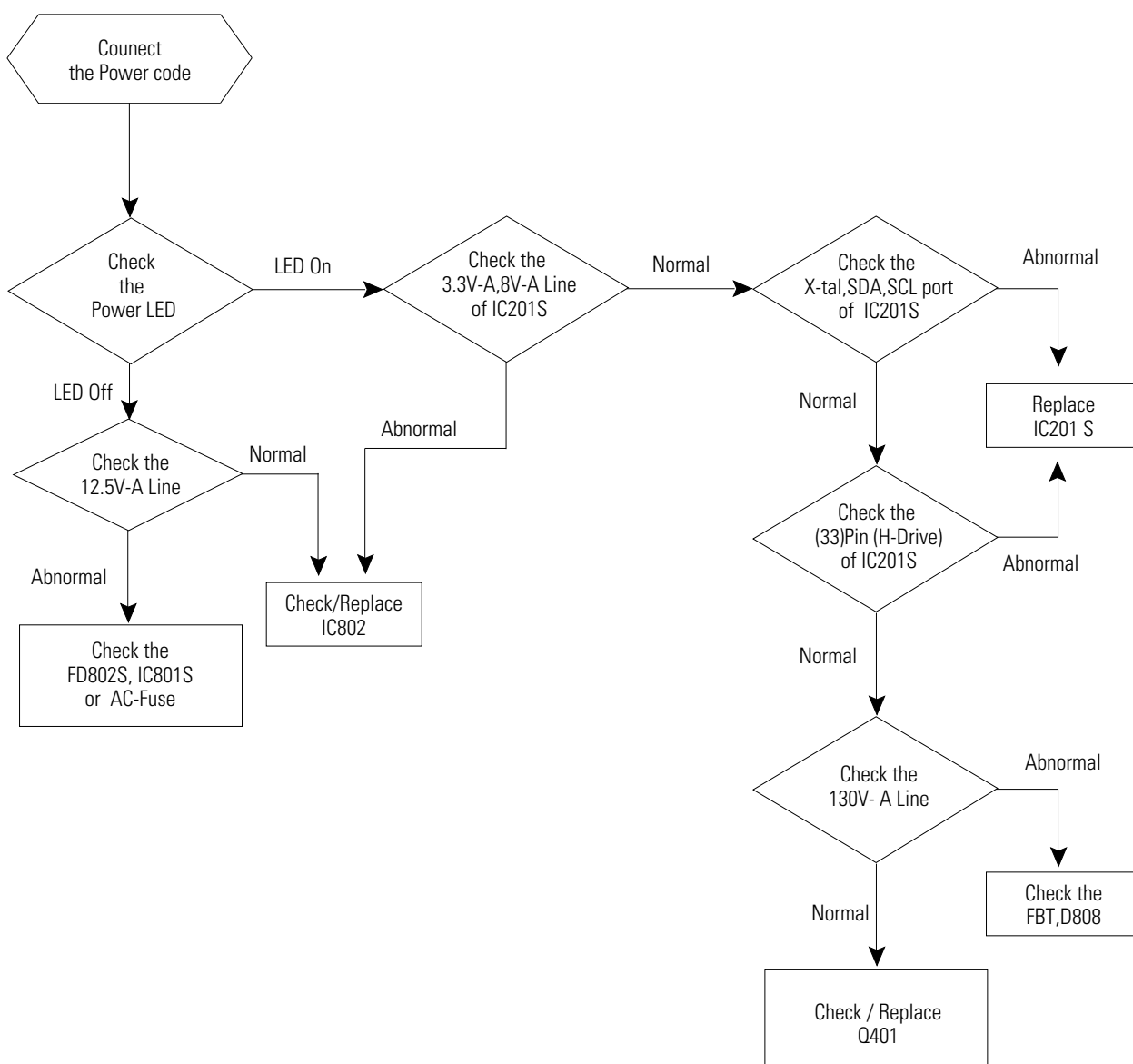
1. Input a Toshiba pattern.
2. Go to service mode and select 'G2-Adjust.
3. Adjust bottom VR of FBT to display "SCREEN ADJUST : OK"
4. Use the Menu or Mute key to complete G2 adjustment.

4-3-6 Purity Adjustment

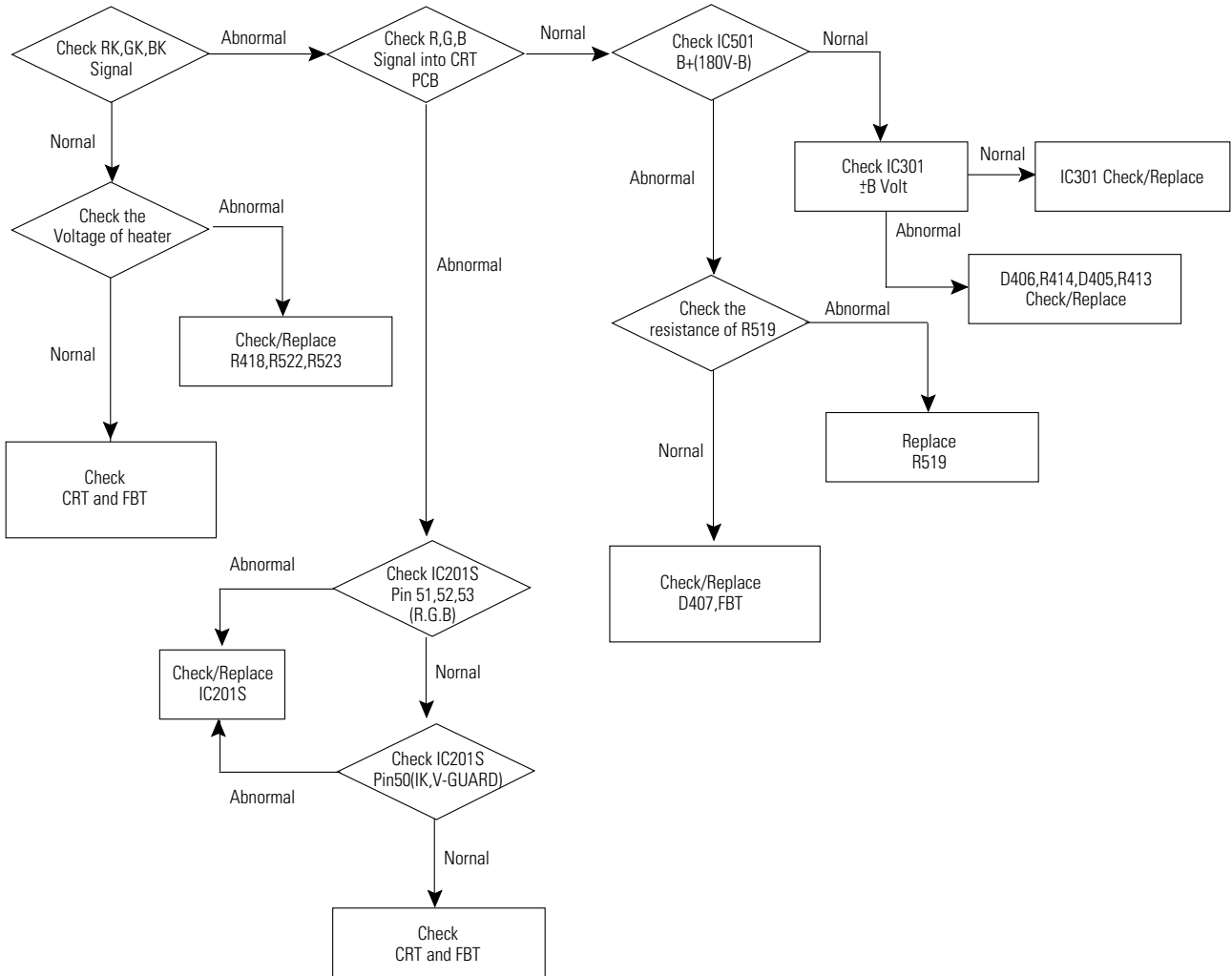
1. Warm up the receiver for at least 20 minutes.
2. Plug in the CRT deflection yoke and tighten the clamp screw.
3. Plug the convergence yoke into the CRT and set in as shown in Fig. 4-2.
4. Input a black and white signal.
5. Fully demagnetize the receiver by applying an external degaussing coil.
6. Turn the CONTRAST and BRIGHTNESS controls to maximum.
7. Loosen the clamp screw holding the yoke. Slide the yoke backward or forward to provide vertical green belt. (Fig. 4-3).
8. Tighten the convergence yoke.
9. Slowly move the deflection yoke forward, and adjust for the best overall green screen.
10. Temporarily tighten the deflection yoke.
11. Produce blue and red rasters by adjusting the low-light controls. Check for good purity in each field.
12. Tighten the deflection yoke.

5. Troubleshooting

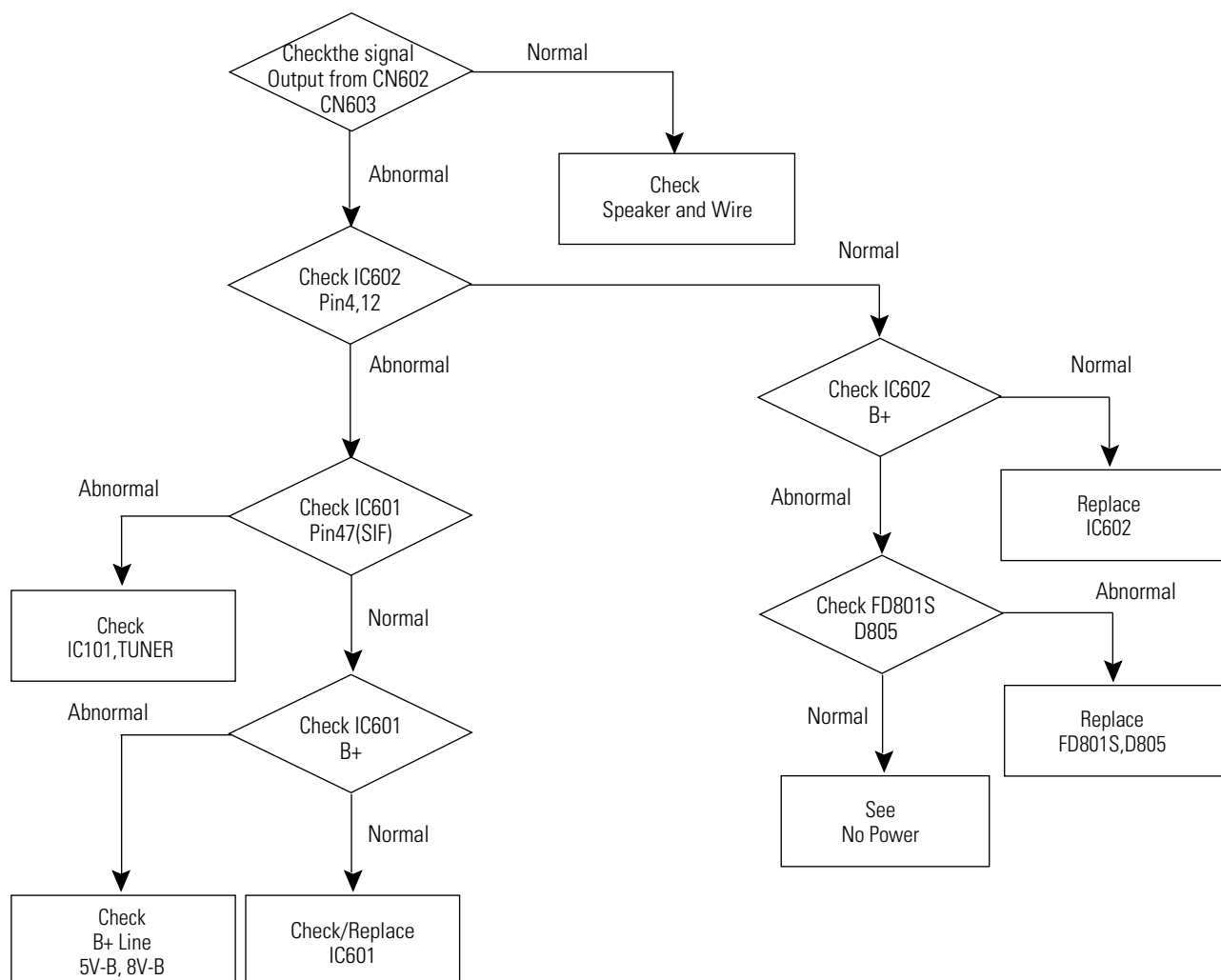
5-1 No Power



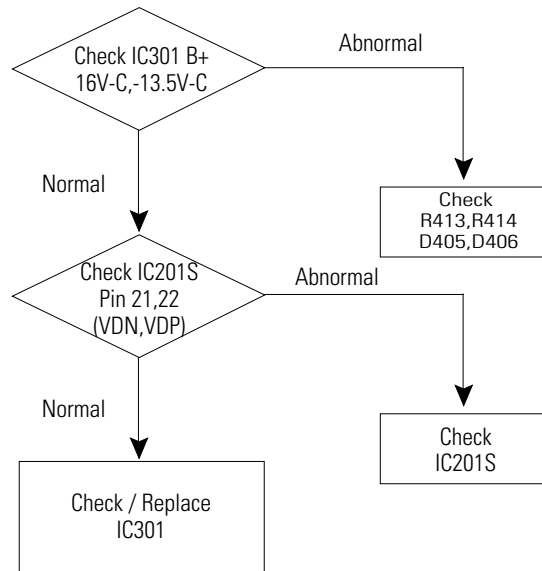
5-2 No Video (Sound OK)



5-3 No Sound (Video OK)



5-4 Horizontal Lines Appear or Screen



7. Electrical Parts List

7-1 TXM2792FX/XAA

Loc. No.	Code No.	Description ; Specification	Remark	Loc. No.	Code No.	Description ; Specification	Remark
ASSY CHASSIS							
1	* AA91-04214R	ASSY CHASSIS;TXM2792FX/XAA		...	6003-000335	SCREW-TAPTITE;RH,+2S,M3,L8,ZPC(YEL),SWR	
△	...2 AA96-20129A	ASSY POWER CORD;-EP2/YES,H/C300,ME301P,		...4	0402-001399	DIODE-BRIDGE;GSIB660,600V,6A,SIP-4,BK	
...3	3811-000401	WIRE-PVC CU;BCWA,300V,ROLL,17/0.16mm,#22		...4	0205-000129	GREASE-SILICON;SC102,JAPAN	
...3	AA39-10007Y	CBF POWER CORD;-EP2/YES,SPT-2 18AWGx2C,		△	...3 D805	BP96-00020F ASSY HEAT SINK P;H/S TR,SCREW,FFFP10U20S	
...3	AA61-20284A	HOLDER;P-CORD,PP,-,-,BLK,VO,KE-002		...4	CIS	0205-001027 OIL-SILICON;G746,-,-	
...2	AA94-11565A	ASSY PCB MISC-CONTROL;TXM2792FX/XAA,K57A		...4	CIS	0402-001375 DIODE-RECTIFIER;FFFP10U20S,200V,10A,TO-2	
...3	CNY01 AA39-00100C	LEAD CONNECTOR-ASSY;,4P,YBNH250-04,35155		...4	CIS	6003-000335 SCREW-TAPTITE;RH,+2S,M3,L8,ZPC(YEL),SWR	
...3	CNY02 AA39-20005A	LEAD CONNECTOR-ASSY;,3P,YBNH025-03,67096		...4	CIS	AA62-00045A HEAT SINK-PS;-,-,T1.0,-,-,DREAM,-,-,-,-	
...3	CY01 2401-001840	C-AL;100uF,20%,16V,GP,TP;6.3x11.5		△	...3 D808	BP96-00020J ASSY HEAT SINK P;H/S TR,SCREW,FMG-G2CS,O	
...3	LDY02 0601-000465	LED;ROUND,GRN,5mm,565		...4	CIS	0205-001027 OIL-SILICON;G746,-,-	
...3	RMV01 AA32-00012A	MODULE REMOCON;ORC-50HF2,38KHZ,940NM,MES		...4	CIS	0402-001230 DIODE-RECTIFIER;FMG-G2CS,1000V,3A,TO-220	
...3	SW07 3404-000176	SWITCH-TACT;12V,50mA,120gf,6x6mm,SPST		...4	CIS	6003-000335 SCREW-TAPTITE;RH,+2S,M3,L8,ZPC(YEL),SWR	
...3	SWY02 3404-000176	SWITCH-TACT;12V,50mA,120gf,6x6mm,SPST		...4	CIS	AA62-00045A HEAT SINK-PS;-,-,T1.0,-,-,DREAM,-,-,-,-	
...3	SWY03 3404-000176	SWITCH-TACT;12V,50mA,120gf,6x6mm,SPST		△	...3 D812	0406-001007 DIODE-TVS;P6KE180A,171/180/189V,600W,CAS	
...3	SWY04 3404-000176	SWITCH-TACT;12V,50mA,120gf,6x6mm,SPST		△	...3 IC201S	AA09-00316A IC MICOM;TDA9592PS/N1/31,SPM-464A,64P,3.	
...3	SWY05 3404-000176	SWITCH-TACT;12V,50mA,120gf,6x6mm,SPST		...3	IC602	AA96-50398A ASSY H/S;-,-,AA62-30182E,TDAT7297,-	
...3	SWY06 3404-000176	SWITCH-TACT;12V,50mA,120gf,6x6mm,SPST		...4	CIS	0205-000129 GREASE-SILICON;SC102,JAPAN	
...3	AA97-07608W	ASSY AUTO-CONTROL;TXM2792FX/XAA,K57A		...4	CIS	1201-001064 IC-POWER AMP;7297,ZIP,15P,-,DUAL,32dB,PL	
...4	DZY01 0403-000508	DIODE-ZENER;MTZJ5.6B,5.6V,5.45-5.73V,500		...4	CIS	6003-000333 SCREW-TAPTITE;RH,+2S,M3,L10,ZPC(YEL),SW	
...4	PCB AA41-00709A	PCB-QUEST CONTROL;TXM2792FX,FR-1,1L,A,1.		...4	CIS	AA62-30182E HEAT SINK-ES;-,-,A6063 EXTR,-,WHT,-,-,-,40	
...4	RY01 2001-000472	R-CARBON;2.7KOHM,5%,1/8W,AA,TP,1.8X3.2MM		△	...3 IC801S	AA96-50371J ASSY H/S;BRKT+SCREW,KA5Q1265RF,OIL SILIC	
...4	RY02 2001-000241	R-CARBON;1.5KOHM,5%,1/8W,AA,TP,1.8X3.2MM		...4	CIS	AA62-30181H HEAT SINK-ES;-,-,AL6063 EXTR,-,2,WHT,50MM,-	
...4	RY03 2001-000005	R-CARBON;390ohm,5%,1/8W,AA,TP,1.8x3.2mm		...4	CIS	AA61-11028A BRACKET;SECC,T1.0,-,-,-	
...4	RY04 2001-000472	R-CARBON;2.7KOHM,5%,1/8W,AA,TP,1.8X3.2MM		...4	CIS	6003-000333 SCREW-TAPTITE;RH,+2S,M3,L10,ZPC(YEL),SW	
...4	RY05 2001-000241	R-CARBON;1.5KOHM,5%,1/8W,AA,TP,1.8X3.2MM		...4	CIS	1203-002597 IC-PWM CONTROLLER;KA5Q1265RF-YDTU,TO-3PF	
...4	RY06 2001-000005	R-CARBON;390ohm,5%,1/8W,AA,TP,1.8x3.2mm		...4	CIS	0205-001027 OIL-SILICON;G746,-,-	
...4	RY07 2001-000793	R-CARBON;470HM,5%,1/8W,AA,TP,1.8X3.2MM		...3	ICP01	1203-002177 IC-PWM CONTROLLER;VIPER12ADIP,DIP,8P,300	
...4	RY08 2001-000924	R-CARBON;680OHM,5%,1/8W,AA,TP,1.8X3.2MM		...3	JA701	3722-001333 JACK-PIN;9P;3.2mm,NL,BLK,-	
...3	3301-001456	CORE-FERRITE;AE,15*ø7*ø18MM,-,-		...3	JA702	3722-001423 JACK-PIN;3P+S1P;3.4mm,NL,BLK,-	
...3	AA63-10002A	BAND-TIE;NYLON66 V2,L100,NTR		...3	L405	AA27-00057A COIL HORIZ. WIDTH;-,-,10mH,YL-9N 15x27.5 C	
...3	0202-000187	SOLDER-WIRE FLUX;-RS60S,D1.2.63Sn/37Pb		...3	L410	AA27-00067A COIL HORIZ. WIDTH;-,-,240uH,YL9N 12x20 C-6	
...2	AA94-08584K	ASSY PCB MISC-A/V SIDE;TXM2792FX/XAA,K57		...3	Q401	AA96-00624A ASSY H/S;-,-,POWER,AA62-00057A,KS05703,WAS	
...3	CN701 AA39-20068E	LEAD CONNECTOR-ASSY;,8P,YBNH025-08,67096		...4	CIS	AA62-00057A HEAT SINK-PS;-,-,T1.0,-,-,41*20*60,D2,-,-	
...3	CN702 AA39-20070F	LEAD CONNECTOR-ASSY;,7P,YBNH025-07,67096		...4	CIS	AA60-30001A WASHER-PLATE;M3,ID3.5,15X8.5,T1.0,SBHG	
...3	CN703 AA39-20069C	LEAD CONNECTOR-ASSY;,5P,YBNH025-05,67096		...4	CIS	6003-000333 SCREW-TAPTITE;RH,+2S,M3,L10,ZPC(YEL),SW	
...3	CN704 AA39-00070A	LEAD CONNECTOR-ASSY;,4P,YBNH250-04,35184		...4	CIS	0502-001136 TR-POWER;KS05703,NPN,70W,TO-3PF;ST,8-	
...3	JA701 3722-001031	JACK-PIN;3P;3.6mm,#18,AU		...4	CIS	0205-000129 GREASE-SILICON;SC102,JAPAN	
...3	JH701 3722-000143	JACK-PHONE;1P(VER),3.4PI,AG,BLK,NO		△	...3 T444S	AA26-00057A TRANS FBT;-FUH-29A001B(S),25/29,130	
...3	JS701 3722-001163	JACK-VHS;4P,12mm,AU,BLK,N		△	...3 T801S	AA26-00179A TRANS SWITCHING;49B135,QUEST,90-264V,PM5	
...3	AA97-12914A	ASSY AUTO-A/V SIDE;TXM2792FX/XAA,K57A		...3	TP801	BP26-00001A TRANS SWITCHING-POWER;19B012,P55A,HCM421	
...4	C701 2202-000121	C-CERAMIC,MLC-AXIAL;100pF,10%,50V,Y5P,TP		...3	CIS	AA60-40012D PIN-GT,ASSY;T1.6.6-12.5,-,NYLON66	
...4	C702 2202-000121	C-CERAMIC,MLC-AXIAL;100pF,10%,50V,Y5P,TP		...3	CIS	AA65-30110A CLAMPER CORE-WIRE;ALL MODEL,NYLON 66,V2,	
...4	C703 2202-000231	C-CERAMIC,MLC-AXIAL;330pF,10%,50V,Y5P,TP		...3	CIS	AA65-30018A CLAMPER CORE-WIRE;DONG-A,NYLON-66,-,-,-	
...4	C704 2202-000231	C-CERAMIC,MLC-AXIAL;330pF,10%,50V,Y5P,TP		...3	CIS	0202-000187 SOLDER-WIRE FLUX;-RS60S,D1.2.63Sn/37Pb	
...4	C705 2401-002009	C-AL;100uF,20%,16V,GP,TP;6.3x7.5		...3	CIS	AA97-07560Z ASSY ROBOT-MAIN;TXM2792FX/XAA,K57A	
...4	C706 2401-002009	C-AL;100uF,20%,16V,GP,TP;6.3x7.5		...4	C821	2401-003633 C-AL;220UF,20%,16V,GP,ST,22X25MM,10	
...4	L701 2701-000114	INDUCTOR-AXIAL;10uH,10%,2.5x3.4mm		...4	CN902	3711-003043 CONNECTOR-HEADER;BOX,4P,1R,2.5mm,STRAIGH	
...4	L702 2701-000114	INDUCTOR-AXIAL;10uH,10%,2.5x3.4mm		△	...4 CR402S	2301-001037 C-FILM,PPF;6.8nF,3%,1600V,TP;29x10x18,20	
...4	L703 2701-000114	INDUCTOR-AXIAL;10uH,10%,2.5x3.4mm		△	...4 CR403S	2306-000327 C-FILM,MPPF;6.3nF,3%,1.6KV,TP;28.5x18x10	
...4	L704 2701-000114	INDUCTOR-AXIAL;10uH,10%,2.5x3.4mm		△	...4 CR406S	2306-001017 C-FILM,MPPF;680nF,5%,400V,TP;26x14.5x24m	
...4	L707 3301-000287	CORE-FERRITE BEAD;AA,3.5x1.0x6.0mm,1500,		△	...4 CX801S	2306-000318 C-FILM,MPPF;220nF,20%,250V,TP,-,22.5mm	
...4	L708 3301-000287	CORE-FERRITE BEAD;AA,3.5x1.0x6.0mm,1500,		△	...4 CX802S	2306-000318 C-FILM,MPPF;220nF,20%,250V,TP,-,22.5mm	
...4	PCB AA41-00345A	PCB-SIDE A/V;CS29K1,FR-1,1L,A,1.6T,245x2		△	...4 CY801S	2201-000446 C-CERAMIC,DISC,3.3nF,20%,400V,Y5U,TP,15x	
...4	R701 2001-000028	R-CARBON(S);100OHM,5%,1/2W,AA,TP,2.4X6.4		...4	D404	0402-001296 DIODE-RECTIFIER;FMP-3FU,1.5KV,5A,TO-3PF,	
...4	R702 2001-000028	R-CARBON(S);100OHM,5%,1/2W,AA,TP,2.4X6.4		△	...4 FP801S	3601-000293 FUZE-CARTRIDGE;250V,5A,SLOW-BLOW,GLASS,5	
...4	R703 2001-000969	R-CARBON;75OHM,5%,1/8W,AA,TP,1.8X3.2MM		...4	IC101	1204-000506 IC-IF DETECTOR;LA7510,SIP,9P,-,PLASTIC,1	
...4	R704 2001-000969	R-CARBON;75OHM,5%,1/8W,AA,TP,1.8X3.2MM		...4	IC202	1103-001200 IC-EEPROM;M24C08-WBN6,1024x8BIT,DIP,8P,3	
...3	0202-000187	SOLDER-WIRE FLUX;-RS60S,D1.2.63Sn/37Pb		...4	IC301	AA96-50406A ASSY H/S;-,-,AA62-30180K,LA7845,-	
...2	AA94-08533T	ASSY PCB MAIN;TXM2792FX/XAA,K57A		...5	CIS	0205-000129 GREASE-SILICON;SC102,JAPAN	
...3	- AA39-20010B	LEAD CONNECTOR-ASSY;,1P,YFH800-01,S,500,		...5	CIS	1204-000517 IC-VERTICAL DEF;LA7845,SIP,7P,-,PLASTIC	
...3	C406 2301-001296	C-FILM,MPPF;720NF,5%,400V,BK,26X15.5X20M		...5	CIS	6003-000333 SCREW-TAPTITE;RH,+2S,M3,L10,ZPC(YEL),SW	
...3	C803 2401-001652	C-AL;680uF,20%,250V,GP,BK,25x50mm,1.		...5	CIS	AA62-30180K HEAT SINK-ES;-,-,A6063 EXTR,-,WHT,50/13,-,	
△	D801S AA96-00276C	ASSY H/S;-,-,BRIDGE ,AA62-00052A,GSIB660,K		...5	IC601	1204-001662 IC-SOUND PROCESSOR;MSP3425G-B8,DIP,52P,5	
...4	AA62-00052A	HEAT SINK-PS;-,-,-,SILVER,HOLE 18.5mm, 2		△	...4 IC802	AA96-00245A ASSY H/S;-,-,AA62-00055A,KA7632,-	
...4	AA60-30003A	WASHER;T1.5,SBHG-1		...5	CIS	1203-001939 IC-POSI-FIXED REG.,7632,SIP,10P,-,PLASTI	
...4				...5	CIS	6003-000334 SCREW-TAPTITE;RH,+2S,M3,L6,ZPC(YEL),SWR	
...4				...5	CIS	AA62-00055A HEAT SINK-PS;-,-,T1.0,-,-,35*15*25,D1,-,-	
...4				...4	ICE01	1202-000103 IC-VOLTAGE COMP.;393,DIP,8P,300MIL,DUAL,	

Electrical Parts List

Loc. No.	Code No.	Description ; Specification	Remark	Loc. No.	Code No.	Description ; Specification	Remark
....4	ICW01	1001-000211	IC-VIDEO SWITCH;NJM2235D,-,DIP;8P;300MIL5	C404	2305-000382	C-FILM,MPEF;4.7nF,5%,400V,TP,-,5mm
....4	L409	AA27-00095A	COIL HORIZ. WIDTH;-,600uH,YL9N 15x27.5 C5	C405	2201-000639	C-CERAMIC,DISC;0.68nF,10%,2KV,Y5P,TP;9x5
....4	L808	AA27-00098A	COIL CHOKE;-,24uH,10%,-,0.1,3.0A,DR10X5	C407	2401-002268	C-AL;2.2uF,20%,250V,LZ,TP;8X11.5
△....4	LR401S	AA27-00099A	COIL LINEARITY;23.5uH,23.5uH,DR14x15C;5.5	C408	2201-000556	C-CERAMIC,DISC;0.47nF,10%,500V,Y5P,TP;5.
△....4	LX801S	AA29-00011A	FILTER LINE NOISE;CZ32W8,-,0.20MAX,1.5KV5	C409	2401-001397	C-AL;470uF,20%,25V,GP,TP;10x16,5
△....4	LX802S	AA29-00012A	FILTER LINE NOISE;CS29A6PF8X/HAC,-,0.1MA5	C410	2401-001397	C-AL;470uF,20%,25V,GP,TP;10x16,5
△....4	NT801S	1404-001045	THERMISTOR-NTC;4.7ohm,15%,2900K,35.0mW,T5	C411	2201-000556	C-CERAMIC,DISC;0.47nF,10%,500V,Y5P,TP;5.
△....4	PC801S	0604-001038	PHOTO-COUPLER;TR,130-260%,200mW,DIP-4,ST5	C412	2401-000927	C-AL;22uF,20%,250V,GP,TP;13x20,5
△....4	PC802S	0604-001038	PHOTO-COUPLER;TR,130-260%,200mW,DIP-4,ST5	C413	2201-000556	C-CERAMIC,DISC;0.47nF,10%,500V,Y5P,TP;5.
△....4	PT801S	1404-000002	THERMISTOR-PTC;9ohm,20%,-,TR,RECT,-5	C414	2301-001065	C-FILM,MPPF;47nF,5%,630V,TP;19x15.5x7.7.
△....4	RL801S	3501-001053	RELAY-POWER;5Vdc,530mW,10A,1FormA,15mS,5	△....5	C415S	2301-001259	C-FILM,MPPF;100nF,5%,400V,TP;19x8x16,7,5
△....4	SF101S	2904-001107	FILTER-SAW AV;45.75MHz,SIP5K,TP,12.6dB,N5	C601	2201-000304	C-CERAMIC,DISC;0.001nF,0.25pF,50V,NPO,TP
△....4	SF102S	2904-001255	FILTER-SAW AV;45.75MHz,SIP5K,ST,12.2dB,M5	C602	2201-000304	C-CERAMIC,DISC;0.001nF,0.25pF,50V,NPO,TP
△....4	T401	AA26-50001R	TRANS-HORIZ.DRIVE;-,80MH,-,520UH,-5	C603	2202-000286	C-CERAMIC,MLC-AXIAL;56pF,5%,50V,SL,TP;1.
△....4	TU01S	AA40-00088A	TUNER;TAEC-H005(F),NTSC,181CH,45.75MHZ,5	C604	2401-000302	C-AL;100uF,20%,25V,GP,TP;6.3x11,5
....4		AA97-07230S	ASSY AUTO-MAIN;TXM2792FX/XAA,K57A5	C605	2202-000796	C-CERAMIC,MLC-AXIAL;1nF,10%,50V,Y5P,TP;3
....5	C101	2401-000962	C-AL;22uF,20%,50V,GP,TP;5x11,55	C606	2305-000665	C-FILM,MPEF;100nF,5%,63V,TP;7.5x4.0x5.0m
....5	C102	2301-000383	C-FILM,PEF;10nF,5%,50V,TP;6x7x3.2mm,5mm5	C607	2401-000493	C-AL;10uF,20%,50V,LZ,TP;5x11mm,5mm
....5	C103	2401-002594	C-AL;220uF,20%,16V,GP,TP;8x11.5,55	C608	2401-000027	C-AL;4.7uF,20%,50V,GP,TP;5x11,5
....5	C104	2401-000480	C-AL;10uF,20%,50V,GP,TP;5x11,55	C609	2401-000027	C-AL;4.7uF,20%,50V,GP,TP;5x11,5
....5	C105	2305-000665	C-FILM,MPEF;100nF,5%,63V,TP;7.5x4.0x5.0m5	C610	2401-000027	C-AL;4.7uF,20%,50V,GP,TP;5x11,5
....5	C110	2202-000127	C-CERAMIC,MLC-AXIAL;10nF,+80-20%,25V,Y5V5	C611	2401-000027	C-AL;4.7uF,20%,50V,GP,TP;5x11,5
....5	C111	2401-001840	C-AL;100uF,20%,16V,GP,TP;6.3x11,55	C612	2401-001840	C-AL;100uF,20%,16V,GP,TP;6.3x11,5
....5	C112	2401-001333	C-AL;470nF,20%,50V,GP,TP;5x11,55	C613	2301-000108	C-FILM,PEF;1.5nF,5%,50V,TP;6.5x3.0x5.5mm
....5	C113	2401-001333	C-AL;470nF,20%,50V,GP,TP;5x11,55	C614	2401-000480	C-AL;10uF,20%,50V,GP,TP;5x11,5
....5	C114	2202-000286	C-CERAMIC,MLC-AXIAL;56pF,5%,50V,SL,TP;1.5	C615	2401-001026	C-AL;3.3uF,20%,50V,GP,TP;5x11,5
....5	C120	2202-000127	C-CERAMIC,MLC-AXIAL;10nF,+80-20%,25V,Y5V5	C616	2401-000493	C-AL;10uF,20%,50V,LZ,TP;5x11mm,5mm
....5	C202	2401-002075	C-AL;4.7uF,20%,50V,GP,TP;5x11,55	C617	2401-000493	C-AL;10uF,20%,50V,LZ,TP;5x11mm,5mm
....5	C204	2305-000411	C-FILM,MPEF;470nF,5%,50V,TP;7.3x4.8x5.5m5	C618	2305-000665	C-FILM,MPEF;100nF,5%,63V,TP;7.5x4.0x5.0m
....5	C205	2202-000796	C-CERAMIC,MLC-AXIAL;1nF,10%,50V,Y5P,TP;35	C619	2401-000302	C-AL;100uF,20%,25V,GP,TP;6.3x11,5
....5	C206	2305-000665	C-FILM,MPEF;100nF,5%,63V,TP;7.5x4.0x5.0m5	C620	2401-001026	C-AL;3.3uF,20%,50V,GP,TP;5x11,5
....5	C207	2401-000302	C-AL;100uF,20%,25V,GP,TP;6.3x11,55	C621	2301-000383	C-FILM,PEF;10nF,5%,50V,TP;6x7x3.2mm,5mm
....5	C208	2201-000573	C-CERAMIC,DISC;0.047nF,5%,50V,NPO,TP;5x35	C622	2301-000108	C-FILM,PEF;1.5nF,5%,50V,TP;6.5x3.0x5.5mm
....5	C209	2305-000665	C-FILM,MPEF;100nF,5%,63V,TP;7.5x4.0x5.0m5	C623	2301-000192	C-FILM,PEF;1nF,5%,50V,TP;5.3x10mm,5mm
....5	C210	2201-000573	C-CERAMIC,DISC;0.047nF,5%,50V,NPO,TP;5x35	C624	2301-000192	C-FILM,PEF;1nF,5%,50V,TP;5.3x10mm,5mm
....5	C211	2401-000302	C-AL;100uF,20%,25V,GP,TP;6.3x11,55	C625	2301-000232	C-FILM,PEF;3.3nF,5%,50V,TP;8.1x4.5x13mm,
....5	C212	2401-000962	C-AL;22uF,20%,50V,GP,TP;5x11,55	C626	2301-000232	C-FILM,PEF;3.3nF,5%,50V,TP;8.1x4.5x13mm,
....5	C213	2305-000289	C-FILM,MPEF;220nF,5%,63V,TP,-,5mm5	C627	2401-000493	C-AL;10uF,20%,50V,LZ,TP;5x11mm,5mm
....5	C214	2305-000289	C-FILM,MPEF;220nF,5%,63V,TP,-,5mm5	C629	2202-000286	C-CERAMIC,MLC-AXIAL;56pF,5%,50V,SL,TP;1.
....5	C215	2305-000289	C-FILM,MPEF;220nF,5%,63V,TP,-,5mm5	C630	2301-000111	C-FILM,PEF;1.8nF,5%,50V,TP;6.5x3.0x5.5mm
....5	C216	2305-000289	C-FILM,MPEF;220nF,5%,63V,TP,-,5mm5	C631	2401-003139	C-AL;100uF,20%,25V,WT,TP;10*20,5mm
....5	C217	2305-000289	C-FILM,MPEF;220nF,5%,63V,TP,-,5mm5	C632	2305-000665	C-FILM,MPEF;100nF,5%,63V,TP;7.5x4.0x5.0m
....5	C218	2305-000411	C-FILM,MPEF;470nF,5%,50V,TP;7.3x4.8x5.5m5	C633	2401-001914	C-AL;1uF,20%,50V,BP,TP;5x11,5
....5	C219	2305-000665	C-FILM,MPEF;100nF,5%,63V,TP;7.5x4.0x5.0m5	C634	2301-000111	C-FILM,PEF;1.8nF,5%,50V,TP;6.5x3.0x5.5mm
....5	C220	2401-000302	C-AL;100uF,20%,25V,GP,TP;6.3x11,55	C635	2401-001914	C-AL;1uF,20%,50V,BP,TP;5x11,5
....5	C221	2202-000849	C-CERAMIC,MLC-AXIAL;18pF,5%,50V,CH,TP;3.5	C709	2202-000806	C-CERAMIC,MLC-AXIAL;220pF,10%,50V,Y5P,TP
....5	C222	2305-000665	C-FILM,MPEF;100nF,5%,63V,TP;7.5x4.0x5.0m5	C710	2401-000027	C-AL;4.7uF,20%,50V,GP,TP;5x11,5
....5	C223	2202-000252	C-CERAMIC,MLC-AXIAL;4.7nF,10%,50V,X7R,TP5	C801	2201-000332	C-CERAMIC,DISC;2.2nF,20%,250V,Y5U,TP;9x4
....5	C224	2401-000660	C-AL;2.2uF,20%,50V,GP,TP;5x11,55	C802	2201-000332	C-CERAMIC,DISC;2.2nF,20%,250V,Y5U,TP;9x4
....5	C225	2305-000289	C-FILM,MPEF;220nF,5%,63V,TP,-,5mm5	C804	2401-001192	C-AL;33uF,20%,50V,GP,TP;6.3x11,5
....5	C226	2401-000302	C-AL;100uF,20%,25V,GP,TP;6.3x11,55	C805	2301-000224	C-FILM,PEF;2.2nF,5%,50V,TP;7.4x3.9x13mm,5
....5	C227	2401-000302	C-AL;100uF,20%,25V,GP,TP;6.3x11,55	C806	2301-000204	C-FILM,PEF;2.7nF,5%,50V,TP;7.4x3.9x13mm,
....5	C229	2401-002619	C-AL;47uF,20%,25V,GP,TP;5x11,55	C807	2305-000665	C-FILM,MPEF;100nF,5%,63V,TP;7.5x4.0x5.0m
....5	C231	2305-000289	C-FILM,MPEF;220nF,5%,63V,TP,-,5mm5	C808	2301-001435	C-FILM,PPF;1.5nF,5%,1.2kV,TP;15x8x12.5mm
....5	C232	2305-000665	C-FILM,MPEF;100nF,5%,63V,TP;7.5x4.0x5.0m5	C809	2401-000493	C-AL;10uF,20%,50V,LZ,TP;5x11mm,5mm
....5	C233	2401-000302	C-AL;100uF,20%,25V,GP,TP;6.3x11,55	C810	2401-002619	C-AL;47uF,20%,25V,GP,TP;5x11,5
....5	C234	2401-000660	C-AL;2.2uF,20%,50V,GP,TP;5x11,55	C811	2401-000302	C-AL;100uF,20%,25V,GP,TP;6.3x11,5
....5	C235	2301-000342	C-FILM,PEF;2.2nF,5%,50V,TP;7.4x3.9x13mm,5	C812	2305-000665	C-FILM,MPEF;100nF,5%,63V,TP;7.5x4.0x5.0m
....5	C236	2305-000289	C-FILM,MPEF;220nF,5%,63V,TP,-,5mm5	C813	2401-002594	C-AL;220uF,20%,16V,GP,TP;8x11.5,5
....5	C237	2301-000445	C-FILM,PEF;4.7nF,5%,50V,TP;5.5x7x3mm,5mm5	C814	2401-003028	C-AL;100uF,20%,25V,WT,TP;6.3x11,5
....5	C238	2401-000603	C-AL;1uF,20%,50V,GP,TP;5x11,55	C815	2401-003028	C-AL;100uF,20%,25V,WT,TP;6.3x11,5
....5	C239	2401-000480	C-AL;10uF,20%,50V,GP,TP;5x11,55	C816	2201-000597	C-CERAMIC,DISC;0.56nF,10%,500V,Y5P,TP;5.
....5	C240	2305-000665	C-FILM,MPEF;100nF,5%,63V,TP;7.5x4.0x5.0m5	C817	2401-002215	C-AL;2200uF,20%,25V,WT,TP;13x25,5
....5	C242	2202-000796	C-CERAMIC,MLC-AXIAL;1nF,10%,50V,Y5P,TP;35	C818	2201-000556	C-CERAMIC,DISC;0.47nF,10%,500V,Y5P,TP;5.
....5	C243	2202-000796	C-CERAMIC,MLC-AXIAL;1nF,10%,50V,Y5P,TP;35	C819	2401-003139	C-AL;1000uF,20%,25V,WT,TP;10*20,5mm
....5	C244	2309-000138	C-FILM,PE-PPF;100nF,5%,50V,TP;20x16x8,55	C820	2201-000991	C-CERAMIC,DISC;0.56nF,10%,2KV,Y5P,TP;7,5
....5	C245	2301-000224	C-FILM,PEF;2.2nF,5%,50V,TP;7.4x3.9x13mm,55	C822	2401-000262	C-AL;100uF,20%,160V,HR,TP;16x25,7,5
....5	C253	2305-000665	C-FILM,MPEF;100nF,5%,63V,TP;7.5x4.0x5.0m5	C823	2201-000370	C-CERAMIC,DISC;0.22nF,10%,50V,Y5P,TP;4x3
....5	C301	2301-000254	C-FILM,PEF;39nF,5%,50V,TP;7.5x3.5x6,5mm,5	C824	2301-000224	C-FILM,PEF;2.2nF,5%,50V,TP;7.4x3.9x13mm,5
....5	C302	2201-002103	C-CERAMIC,DISC;0.015nF,5%,500V,NPO,TP;6.5	C825	2401-002300	C-AL;47uF,20%,50V,GP,TP;6.3x11,5
....5	C303	2401-000365	C-AL;100uF,20%,50V,WT,TP;10x12,5mm,5	C827	2401-000133	C-AL;1000uF,20%,16V,GP,TP;10x20,5
....5	C304	2401-000326	C-AL;100uF,20%,35V,GP,TP;8x11,5,55	CE01	2401-002597	C-AL;220uF,20%,35V,GP,TP;10x12,5,5
....5	C305	2305-000285	C-FILM,MPEF;220nF,5%,100V,TP;10.5X5.5X155	CE02	2301-000224	C-FILM,PEF;2.2nF,5%,50V,TP;7.4x3.9x13mm,5
....5	C306	2305-000149	C-FILM,MPEF;100nF,5%,100V,TP;12x12.5x6,55	CE03	2301-000342	C-FILM,PEF;2.2nF,5%,50V,TP;7.4x3.9x13mm,
....5	C401	2301-000383	C-FILM,PEF;10nF,5%,50V,TP;6x7x3.2mm,5mm5	CE04	2301-000232	C-FILM,PEF;3.3nF,5%,50V,TP;8.1x4.5x13mm,
....5	C402	2401-000302	C-AL;100uF,20%,25V,GP,TP;6.3x11,55	CN501	3711-002648	CONNECTOR-HEADER;BOX,9P,1R,2,5mm,STRAIGH
....5	C403	2201-000599	C-CERAMIC,DISC;0.56nF,10%,500V,Y5P,TP;5.5	CN502	3711-002645	CONNECTOR-HEADER;BOX,6P,1R,2,5mm,STRAIGH

Loc. No.	Code No.	Description ; Specification	Remark	
.....	CN603	3711-002644	CONNECTOR-HEADER;BOX,5P,1R,2.5mm,STRAIGH	
.....	CN701	3711-002647	CONNECTOR-HEADER;BOX,8P,1R,2.5mm,STRAIGH	
.....	CN702	3711-002646	CONNECTOR-HEADER;BOX,7P,1R,2.5mm,STRAIGH	
.....	CN901	3711-002642	CONNECTOR-HEADER;BOX,3P,1R,2.5mm,STRAIGH	
.....	CP01	2301-000356	C-FILM,PEF;47nF,5%,50V,TP,7.5x4.0x6.5,5m	
.....	CP02	2401-000480	C-AL;10uF,20%,50V,GP,TP,5x11,5	
.....	CP03	2401-001192	C-AL;33uF,20%,50V,GP,TP,6.3x11,5	
△	CR01S	2201-000556	C-CERAMIC,DISC;0.47nF,10%,500V,Y5P,TP,5.
△	CR02S	2401-000480	C-AL;10uF,20%,50V,GP,TP,5x11,5
△	CR03S	2401-000480	C-AL;10uF,20%,50V,GP,TP,5x11,5
△	CR405S	2201-000132	C-CERAMIC,DISC;0.1nF,10%,500V,Y5P,TP,6.5
△	CR407S	2301-001258	C-FILM,PPF;39nF,5%,400V,TP,19.5x9x15,7.5
.....	CW01	2401-000603	C-AL;1uF,20%,50V,GP,TP,5x11,5	
.....	CW02	2401-000603	C-AL;1uF,20%,50V,GP,TP,5x11,5	
.....	CW03	2401-000603	C-AL;1uF,20%,50V,GP,TP,5x11,5	
.....	CW04	2201-000982	C-CERAMIC,DISC;10nF,+80-20%,50V,Y5V,TP,4	
.....	CW05	2401-001840	C-AL;100uF,20%,16V,GP,TP,6.3x11,5	
.....	D201	0404-000156	DIODE-SCHOTTKY;RB441Q,10V,100mA,DO-34,TP	
.....	D206	0401-000005	DIODE-SWITCHING;1N4148,100V,200mA,DO-35,	
.....	D303	0402-000546	DIODE-RECTIFIER;TVR10G,400V,1.0A,DO-41,T	
.....	D401	0402-000540	DIODE-RECTIFIER;RU20A,600V,1.5A,-,TP	
.....	D402	0402-000132	DIODE-RECTIFIER;1N4004,400V,1A,DO-41,TP	
.....	D403	0402-000132	DIODE-RECTIFIER;1N4004,400V,1A,DO-41,TP	
.....	D405	0402-000534	DIODE-RECTIFIER;RG10V,400V,1.2A,DO-201,T	
.....	D406	0402-000540	DIODE-RECTIFIER;RU20A,600V,1.5A,-,TP	
.....	D407	0402-000546	DIODE-RECTIFIER;TVR10G,400V,1.0A,DO-41,T	
.....	D408	0401-000005	DIODE-SWITCHING;1N4148,100V,200mA,DO-35,	
△	D803	0401-000006	DIODE-SWITCHING;BAV21,250V,250mA,DO-35,T
△	D804	0401-000005	DIODE-SWITCHING;1N4148,100V,200mA,DO-35,
△	D807	0402-000493	DIODE-RECTIFIER;1R5GU41,400V,1.5A,DO-15L
△	D810	0402-000254	DIODE-RECTIFIER;RGP10J,600V,1A,DO-41,TP
△	D811	0401-000005	DIODE-SWITCHING;1N4148,100V,200mA,DO-35,
△	D813	0404-001056	DIODE-SCHOTTKY;RK16,60V,1.5A,DO-204AC,TP
.....	D951	0402-000132	DIODE-RECTIFIER;1N4004,400V,1A,DO-41,TP	
.....	DE01	0401-000005	DIODE-SWITCHING;1N4148,100V,200mA,DO-35,	
.....	DE02	0402-000546	DIODE-RECTIFIER;TVR10G,400V,1.0A,DO-41,T	
.....	DE03	0403-001325	DIODE-ZENER;MTZJ15C,14.35-15.09V,500mW,D	
.....	DE04	0402-000540	DIODE-RECTIFIER;RU20A,600V,1.5A,-,TP	
.....	DP01	0401-000006	DIODE-SWITCHING;BAV21,250V,250mA,DO-35,T	
.....	DP02	0401-000006	DIODE-SWITCHING;BAV21,250V,250mA,DO-35,T	
△	DR01S	0402-000546	DIODE-RECTIFIER;TVR10G,400V,1.0A,DO-41,T
△	DR02S	0403-001321	DIODE-ZENER;MTZJ6.8C,6.66-7.01V,500mW,DO
.....	DR03S	0401-000005	DIODE-SWITCHING;1N4148,100V,200mA,DO-35,	
.....	DZ101	0403-000508	DIODE-ZENER;MTZJ5.6B,5.6V,5.45-5.73V,500	
.....	DZ202	0403-000720	DIODE-ZENER;MTZJ9.1B,9.1V,8.57-9.01V,500	
.....	DZ204	0403-000508	DIODE-ZENER;MTZJ5.6B,5.6V,5.45-5.73V,500	
.....	DZ205	0403-000720	DIODE-ZENER;MTZJ9.1B,9.1V,8.57-9.01V,500	
.....	DZ206	0403-000720	DIODE-ZENER;MTZJ9.1B,9.1V,8.57-9.01V,500	
.....	DZ207	0403-000720	DIODE-ZENER;MTZJ9.1B,9.1V,8.57-9.01V,500	
.....	DZ208	0403-000720	DIODE-ZENER;MTZJ9.1B,9.1V,8.57-9.01V,500	
.....	DZ209	0403-000720	DIODE-ZENER;MTZJ9.1B,9.1V,8.57-9.01V,500	
.....	DZ210	0403-000720	DIODE-ZENER;MTZJ9.1B,9.1V,8.57-9.01V,500	
.....	DZ211	0403-000720	DIODE-ZENER;MTZJ9.1B,9.1V,8.57-9.01V,500	
.....	DZ212	0403-000720	DIODE-ZENER;MTZJ9.1B,9.1V,8.57-9.01V,500	
.....	DZ213	0403-000508	DIODE-ZENER;MTZJ5.6B,5.6V,5.45-5.73V,500	
.....	DZ214	0403-000508	DIODE-ZENER;MTZJ5.6B,5.6V,5.45-5.73V,500	
.....	DZ215	0403-000508	DIODE-ZENER;MTZJ5.6B,5.6V,5.45-5.73V,500	
.....	DZ216	0403-000720	DIODE-ZENER;MTZJ9.1B,9.1V,8.57-9.01V,500	
.....	DZ217	0403-000720	DIODE-ZENER;MTZJ9.1B,9.1V,8.57-9.01V,500	
.....	DZ218	0403-000720	DIODE-ZENER;MTZJ9.1B,9.1V,8.57-9.01V,500	
.....	DZ219	0403-000720	DIODE-ZENER;MTZJ9.1B,9.1V,8.57-9.01V,500	
.....	DZ220	0403-000720	DIODE-ZENER;MTZJ9.1B,9.1V,8.57-9.01V,500	
.....	DZ221	0403-000720	DIODE-ZENER;MTZJ9.1B,9.1V,8.57-9.01V,500	
.....	DZ222	0403-000720	DIODE-ZENER;MTZJ9.1B,9.1V,8.57-9.01V,500	
.....	DZ223	0403-000720	DIODE-ZENER;MTZJ9.1B,9.1V,8.57-9.01V,500	
.....	DZ224	0403-000720	DIODE-ZENER;MTZJ9.1B,9.1V,8.57-9.01V,500	
.....	DZ301	0403-001328	DIODE-ZENER;MTZJ22A,20.15-21.20V,500mW,D	
.....	DZ302	0403-001329	DIODE-ZENER;MTZJ24B,22.61-23.77V,500mW,D	
.....	DZ303	0403-001221	DIODE-ZENER;UZ39BSB,35.36-37.19V,500mW,D	
.....	DZ305	0403-001328	DIODE-ZENER;MTZJ22A,20.15-21.20V,500mW,D	
.....	DZ306	0403-000700	DIODE-ZENER;TZP33A,33V,31-35V,1W,DO-41,T	
.....	DZ402	0403-000508	DIODE-ZENER;MTZJ5.6B,5.6V,5.45-5.73V,500	
.....	DZ403	0401-000005	DIODE-SWITCHING;1N4148,100V,200mA,DO-35,	
.....	DZ601	0403-000508	DIODE-ZENER;MTZJ5.6B,5.6V,5.45-5.73V,500	
.....	DZ602	0403-000508	DIODE-ZENER;MTZJ5.6B,5.6V,5.45-5.73V,500	
.....	DZ801	0403-001211	DIODE-ZENER;MTZJ12B,11.44-12.03V,500mW,D	
.....	DZ802	0403-000699	DIODE-ZENER;TZP27B,27V,27-30.8V,1W,DO-41	

Loc. No.	Code No.	Description ; Specification	Remark
.....	DZ803	0403-000716	DIODE-ZENER;MTZJ4.7B,4.7V,4.45-4.8V,500m
.....	DZ804	0403-001327	DIODE-ZENER;MTZJ18A,16.22-17.06V,500mW,D
.....	DZ805	0403-000508	DIODE-ZENER;MTZJ5.6B,5.6V,5.45-5.73V,500
.....	DZ806	0403-000508	DIODE-ZENER;MTZJ5.6B,5.6V,5.45-5.73V,500
.....	DZ808	0403-000720	DIODE-ZENER;MTZJ9.1B,9.1V,8.57-9.01V,500
.....	DZ809	0403-000508	DIODE-ZENER;MTZJ5.6B,5.6V,5.45-5.73V,500
.....	DZ810	0403-001373	DIODE-ZENER;MTZJ5.1A,4.81V-5.07V,500mW,D
.....	DZ811	0403-000700	DIODE-ZENER;TZP33A,33V,31-35V,1W,DO-41,T
.....	DZ812	0403-000508	DIODE-ZENER;MTZJ5.6B,5.6V,5.45-5.73V,500
.....	DZP03	0403-001328	DIODE-ZENER;MTZJ22A,20.15-21.20V,500mW,D
.....	EL401	6042-000001	EYELET;ID2.2,OD2.7,L3.1,SN,BSS3-E/EH
.....	EL402	6042-000001	EYELET;ID2.2,OD2.7,L3.1,SN,BSS3-E/EH
.....	EL403	6042-000001	EYELET;ID2.2,OD2.7,L3.1,SN,BSS3-E/EH
.....	EL404	6042-000001	EYELET;ID2.2,OD2.7,L3.1,SN,BSS3-E/EH
.....	EL501	6042-000001	EYELET;ID2.2,OD2.7,L3.1,SN,BSS3-E/EH
.....	EL502	6042-000001	EYELET;ID2.2,OD2.7,L3.1,SN,BSS3-E/EH
.....	EL805	6042-000001	EYELET;ID2.2,OD2.7,L3.1,SN,BSS3-E/EH
.....	EL806	6042-000001	EYELET;ID2.2,OD2.7,L3.1,SN,BSS3-E/EH
.....	EL807	6042-000001	EYELET;ID2.2,OD2.7,L3.1,SN,BSS3-E/EH
.....	EL808	6042-000001	EYELET;ID2.2,OD2.7,L3.1,SN,BSS3-E/EH
.....	EY301	AA60-40011A	K EYELET;ID2.0,OD2.8,BST
.....	EY302	AA60-40011A	K EYELET;ID2.0,OD2.8,BST
.....	EY303	AA60-40011A	K EYELET;ID2.0,OD2.8,BST
.....	EY304	AA60-40011A	K EYELET;ID2.0,OD2.8,BST
.....	EY401	AA60-40011A	K EYELET;ID2.0,OD2.8,BST
.....	EY402	AA60-40011A	K EYELET;ID2.0,OD2.8,BST
.....	EY403	AA60-40011A	K EYELET;ID2.0,OD2.8,BST
.....	EY404	AA60-40011A	K EYELET;ID2.0,OD2.8,BST
.....	EY407	AA60-40011A	K EYELET;ID2.0,OD2.8,BST
.....	EY408	AA60-40011A	K EYELET;ID2.0,OD2.8,BST
.....	EY409	AA60-40011A	K EYELET;ID2.0,OD2.8,BST
.....	EY410	AA60-40011A	K EYELET;ID2.0,OD2.8,BST
.....	EY411	AA60-40011A	K EYELET;ID2.0,OD2.8,BST
.....	EY412	AA60-40011A	K EYELET;ID2.0,OD2.8,BST
.....	EY413	AA60-40011A	K EYELET;ID2.0,OD2.8,BST
.....	EY414	AA60-40011A	K EYELET;ID2.0,OD2.8,BST
.....	EY415	AA60-40011A	K EYELET;ID2.0,OD2.8,BST
.....	EY416	AA60-40011A	K EYELET;ID2.0,OD2.8,BST
.....	EY419	AA60-40011A	K EYELET;ID2.0,OD2.8,BST
.....	EY420	AA60-40011A	K EYELET;ID2.0,OD2.8,BST
.....	EY421	AA60-40011A	K EYELET;ID2.0,OD2.8,BST
.....	EY423	AA60-40011A	K EYELET;ID2.0,OD2.8,BST
.....	EY424	AA60-40011A	K EYELET;ID2.0,OD2.8,BST
.....	EY425	AA60-40011A	K EYELET;ID2.0,OD2.8,BST
.....	EY426	AA60-40011A	K EYELET;ID2.0,OD2.8,BST
.....	EY427	AA60-40011A	K EYELET;ID2.0,OD2.8,BST
.....	EY428	AA60-40011A	K EYELET;ID2.0,OD2.8,BST
.....	EY429	AA60-40011A	K EYELET;ID2.0,OD2.8,BST
.....	EY430	AA60-40011A	K EYELET;ID2.0,OD2.8,BST
.....	EY431	AA60-40011A	K EYELET;ID2.0,OD2.8,BST
.....	EY432	AA60-40011A	K EYELET;ID2.0,OD2.8,BST
.....	EY433	AA60-40011A	K EYELET;ID2.0,OD2.8,BST
.....	EY434	AA60-40011A	K EYELET;ID2.0,OD2.8,BST
.....	EY435	AA60-40011A	K EYELET;ID2.0,OD2.8,BST
.....	EY436	AA60-40011A	K EYELET;ID2.0,OD2.8,BST
.....	EY437	AA60-40011A	K EYELET;ID2.0,OD2.8,BST
.....	EY438	AA60-40011A	K EYELET;ID2.0,OD2.8,BST
.....	EY439	AA60-40011A	K EYELET;ID2.0,OD2.8,BST
.....	EY440	AA60-40011A	K EYELET;ID2.0,OD2.8,BST
.....	EY502	AA60-40011A	K EYELET;ID2.0,OD2.8,BST
.....	EY601	AA60-40011A	K EYELET;ID2.0,OD2.8,BST
.....	EY602	AA60-40011A	K EYELET;ID2.0,OD2.8,BST
.....	EY603	AA60-40011A	K EYELET;ID2.0,OD2.8,BST
.....	EY604	AA60-40011A	K EYELET;ID2.0,OD2.8,BST
.....	EY701	AA60-40011A	K EYELET;ID2.0,OD2.8,BST
.....	EY702	AA60-40011A	K EYELET;ID2.0,OD2.8,BST
.....	EY703	AA60-40011A	K EYELET;ID2.0,OD2.8,BST
.....	EY704	AA60-40011A	K EYELET;ID2.0,OD2.8,BST
.....	EY801	AA60-40011A	K EYELET;ID2.0,OD2.8,BST
.....	EY802	AA60-40011A	K EYELET;ID2.0,OD2.8,BST
.....	EY803	AA60-40011A	K EYELET;ID2.0,OD2.8,BST
.....	EY804	AA60-40011A	K EYELET;ID2.0,OD2.8,BST
.....	EY805	AA60-40011A	K EYELET;ID2.0,OD2.8,BST
.....	EY806	AA60-40011A	K EYELET;ID2.0,OD2.8,BST
.....	EY807	AA60-40011A	K EYELET;ID2.0,OD2.8,BST
.....	EY808	AA60-40011A	K EYELET;ID2.0,OD2.8,BST

Electrical Parts List

Loc. No.	Code No.	Description ; Specification	Remark	Loc. No.	Code No.	Description ; Specification	Remark
.....5	EY809	AA60-40011A	K EYELET;ID2.0,OD2.8,BST5	L209	2701-000159	INDUCTOR-AXIAL;22uH,10%,4.2x9.8mm
.....5	EY810	AA60-40011A	K EYELET;ID2.0,OD2.8,BST5	L210	2701-000142	INDUCTOR-AXIAL;1uH,10%,2.5x3.4mm
.....5	EY811	AA60-40011A	K EYELET;ID2.0,OD2.8,BST5	L211	2701-000142	INDUCTOR-AXIAL;1uH,10%,2.5x3.4mm
.....5	EY812	AA60-40011A	K EYELET;ID2.0,OD2.8,BST5	L212	2701-000158	INDUCTOR-AXIAL;22uH,10%,2.5x3.4mm
.....5	EY813	AA60-40011A	K EYELET;ID2.0,OD2.8,BST5	L230	2701-000177	INDUCTOR-AXIAL;33uH,10%,2.5x3.4mm
.....5	EY814	AA60-40011A	K EYELET;ID2.0,OD2.8,BST5	L301	3301-000287	CORE-FERRITE BEAD;AA,3.5x1.0x6.0mm,1500,
.....5	EY815	AA60-40011A	K EYELET;ID2.0,OD2.8,BST5	L302	3301-000287	CORE-FERRITE BEAD;AA,3.5x1.0x6.0mm,1500,
.....5	EY816	AA60-40011A	K EYELET;ID2.0,OD2.8,BST	△.....5	L401	2701-000142	INDUCTOR-AXIAL;1uH,10%,2.5x3.4mm
.....5	EY818	AA60-40011A	K EYELET;ID2.0,OD2.8,BST	△.....5	L402	3301-000287	CORE-FERRITE BEAD;AA,3.5x1.0x6.0mm,1500,
.....5	EY819	AA60-40011A	K EYELET;ID2.0,OD2.8,BST5	L403	2901-000297	FILTER-EMI ON BOARD;-3A,-,-,3.5x5,TP-
.....5	EY820	AA60-40011A	K EYELET;ID2.0,OD2.8,BST5	L404	3301-000287	CORE-FERRITE BEAD;AA,3.5x1.0x6.0mm,1500,
.....5	EY821	AA60-40011A	K EYELET;ID2.0,OD2.8,BST5	L407	2901-000297	FILTER-EMI ON BOARD;-3A,-,-,3.5x5,TP-
.....5	EY822	AA60-40011A	K EYELET;ID2.0,OD2.8,BST5	L601	2701-000169	INDUCTOR-AXIAL;3.9uH,10%,2.5x3.4mm
.....5	EY823	AA60-40011A	K EYELET;ID2.0,OD2.8,BST5	L602	2701-000169	INDUCTOR-AXIAL;3.9uH,10%,2.5x3.4mm
.....5	EY824	AA60-40011A	K EYELET;ID2.0,OD2.8,BST5	L603	2701-000114	INDUCTOR-AXIAL;10uH,10%,2.5x3.4mm
.....5	EY825	AA60-40011A	K EYELET;ID2.0,OD2.8,BST5	L604	2701-000142	INDUCTOR-AXIAL;1uH,10%,2.5x3.4mm
.....5	EY826	AA60-40011A	K EYELET;ID2.0,OD2.8,BST5	L605	2701-000142	INDUCTOR-AXIAL;1uH,10%,2.5x3.4mm
.....5	EY827	AA60-40011A	K EYELET;ID2.0,OD2.8,BST5	L707	2701-000127	INDUCTOR-AXIAL;15uH,10%,2.5x3.4mm
.....5	EY828	AA60-40011A	K EYELET;ID2.0,OD2.8,BST5	L801	3301-000287	CORE-FERRITE BEAD;AA,3.5x1.0x6.0mm,1500,
.....5	EY829	AA60-40011A	K EYELET;ID2.0,OD2.8,BST5	L802	3301-000287	CORE-FERRITE BEAD;AA,3.5x1.0x6.0mm,1500,
.....5	EY830	AA60-40011A	K EYELET;ID2.0,OD2.8,BST5	L803	2701-000159	INDUCTOR-AXIAL;22uH,10%,4.2x9.8mm
.....5	EY831	AA60-40011A	K EYELET;ID2.0,OD2.8,BST5	L804	3301-000287	CORE-FERRITE BEAD;AA,3.5x1.0x6.0mm,1500,
.....5	EY832	AA60-40011A	K EYELET;ID2.0,OD2.8,BST5	L805	2901-000297	FILTER-EMI ON BOARD;-3A,-,-,3.5x5,TP-
.....5	EY833	AA60-40011A	K EYELET;ID2.0,OD2.8,BST5	L806	3301-000287	CORE-FERRITE BEAD;AA,3.5x1.0x6.0mm,1500,
.....5	EY834	AA60-40011A	K EYELET;ID2.0,OD2.8,BST5	L809	3301-001223	CORE-FERRITE BEAD;AA,6.2ohm,3.5x0.8x5mm,-
.....5	EY835	AA60-40011A	K EYELET;ID2.0,OD2.8,BST5	L810	2901-000297	FILTER-EMI ON BOARD;-3A,-,-,3.5x5,TP-
.....5	EY836	AA60-40011A	K EYELET;ID2.0,OD2.8,BST5	LE01	2701-000114	INDUCTOR-AXIAL;10uH,10%,2.5x3.4mm
.....5	EY838	AA60-40011A	K EYELET;ID2.0,OD2.8,BST5	LE02	2901-000297	FILTER-EMI ON BOARD;-3A,-,-,3.5x5,TP-
.....5	EY839	AA60-40011A	K EYELET;ID2.0,OD2.8,BST5	PCB	AA41-00656A	PCB-MAIN;QUEST,FR-1,1L,A,1.6T,330X245,K5
.....5	EY840	AA60-40011A	K EYELET;ID2.0,OD2.8,BST5	Q203	0501-000389	TR-SMALL SIGNAL;KSC815,NPN,400mW,TO-92,T
.....5	EY841	AA60-40011A	K EYELET;ID2.0,OD2.8,BST5	Q204	0501-000389	TR-SMALL SIGNAL;KSC815,NPN,400mW,TO-92,T
.....5	EY842	AA60-40011A	K EYELET;ID2.0,OD2.8,BST5	Q205	0501-000283	TR-SMALL SIGNAL;KSA539,PNP,400mW,TO-92,T
.....5	EY843	AA60-40011A	K EYELET;ID2.0,OD2.8,BST5	Q206	0501-000283	TR-SMALL SIGNAL;KSA539,PNP,400mW,TO-92,T
.....5	EY844	AA60-40011A	K EYELET;ID2.0,OD2.8,BST5	Q207	0501-000389	TR-SMALL SIGNAL;KSC815,NPN,400mW,TO-92,T
.....5	EY845	AA60-40011A	K EYELET;ID2.0,OD2.8,BST5	Q208	0501-000389	TR-SMALL SIGNAL;KSC815,NPN,400mW,TO-92,T
.....5	EY848	AA60-40011A	K EYELET;ID2.0,OD2.8,BST5	Q211	0501-000283	TR-SMALL SIGNAL;KSA539,PNP,400mW,TO-92,T
.....5	EY850	AA60-40011A	K EYELET;ID2.0,OD2.8,BST5	Q402	0502-001007	TR-POWER;KSC2073-H2,NPN,25W,TO-220,ST,6
.....5	EY851	AA60-40011A	K EYELET;ID2.0,OD2.8,BST5	Q701	0501-000389	TR-SMALL SIGNAL;KSC815,NPN,400mW,TO-92,T
.....5	EY853	AA60-40011A	K EYELET;ID2.0,OD2.8,BST5	Q702	0501-000283	TR-SMALL SIGNAL;KSA539,PNP,400mW,TO-92,T
.....5	EY854	AA60-40011A	K EYELET;ID2.0,OD2.8,BST5	Q801	0502-000242	TR-POWER;KSA614,PNP,25W,TO-220,TP,40-24
.....5	EY855	AA60-40011A	K EYELET;ID2.0,OD2.8,BST5	Q802	0501-000389	TR-SMALL SIGNAL;KSC815,NPN,400mW,TO-92,T
.....5	EY856	AA60-40011A	K EYELET;ID2.0,OD2.8,BST5	Q951	0501-000369	TR-SMALL SIGNAL;KSC2331-Y,NPN,1000mW,TO-
.....5	EY857	AA60-40011A	K EYELET;ID2.0,OD2.8,BST5	QE01	0505-000156	FET-SILICON;IRF620,N,200V,5A,0.8ohm,50W,
.....5	EY858	AA60-40011A	K EYELET;ID2.0,OD2.8,BST5	QP01	0501-000389	TR-SMALL SIGNAL;KSC815,NPN,400mW,TO-92,T
.....5	EY859	AA60-40011A	K EYELET;ID2.0,OD2.8,BST	△.....5	QR01S	0501-000283	TR-SMALL SIGNAL;KSA539,PNP,400mW,TO-92,T
.....5	EY860	AA60-40011A	K EYELET;ID2.0,OD2.8,BST5	R101	2001-000554	R-CARBON;2700HM,5%,1/8W,AA,TP,1.8X3.2MM
.....5	EY862	AA60-40011A	K EYELET;ID2.0,OD2.8,BST5	R102	2001-000554	R-CARBON;2700HM,5%,1/8W,AA,TP,1.8X3.2MM
.....5	EY863	AA60-40011A	K EYELET;ID2.0,OD2.8,BST5	R103	2001-000281	R-CARBON;1000HM,5%,1/8W,AA,TP,1.8X3.2MM
.....5	EY864	AA60-40011A	K EYELET;ID2.0,OD2.8,BST5	R104	2001-000786	R-CARBON;47KOHM,5%,1/8W,AA,TP,1.8X3.2MM
.....5	EY865	AA60-40011A	K EYELET;ID2.0,OD2.8,BST5	R105	2001-000947	R-CARBON;7.5KOHM,5%,1/8W,AA,TP,1.8X3.2MM
.....5	EY866	AA60-40011A	K EYELET;ID2.0,OD2.8,BST5	R136	2001-000924	R-CARBON;6800HM,5%,1/8W,AA,TP,1.8X3.2MM
.....5	F801A	3602-000114	FUSE-HOLDER;-,-,30mohm5	R202	2001-000281	R-CARBON;1000HM,5%,1/8W,AA,TP,1.8X3.2MM
.....5	F801B	3602-000114	FUSE-HOLDER;-,-,30mohm5	R203	2001-000734	R-CARBON;4.7KOHM,5%,1/8W,AA,TP,1.8X3.2MM
△.....5	FD801S	3601-001228	FUSE-AXIAL LEAD;125V,10A,FAST-ACTING,EPO5	R204	2001-000734	R-CARBON;4.7KOHM,5%,1/8W,AA,TP,1.8X3.2MM
△.....5	FD802S	3601-001163	FUSE-AXIAL LEAD;125V,7A,-,EPOXY,2.4X7.1M5	R205	2001-000734	R-CARBON;4.7KOHM,5%,1/8W,AA,TP,1.8X3.2MM
△.....5	FD803S	3601-000120	FUSE-AXIAL LEAD;125V,2.5A,FAST-ACTING,GL5	R206	2001-000290	R-CARBON;1KOHM,5%,1/8W,AA,TP,1.8X3.2MM
.....5	GT102	AA60-40014A	PIN-GT,ASSY;AUTO5	R207	2001-000429	R-CARBON;1KOHM,5%,1/8W,AA,TP,1.8X3.2MM
.....5	GT404	AA60-40014A	PIN-GT,ASSY;AUTO5	R208	2001-000734	R-CARBON;4.7KOHM,5%,1/8W,AA,TP,1.8X3.2MM
.....5	GT801	AA60-40014A	PIN-GT,ASSY;AUTO5	R209	2001-000734	R-CARBON;4.7KOHM,5%,1/8W,AA,TP,1.8X3.2MM
.....5	GT802	AA60-40014A	PIN-GT,ASSY;AUTO5	R210	2001-000281	R-CARBON;1000HM,5%,1/8W,AA,TP,1.8X3.2MM
.....5	GT803	AA60-40014A	PIN-GT,ASSY;AUTO5	R211	2001-000281	R-CARBON;1000HM,5%,1/8W,AA,TP,1.8X3.2MM
.....5	GT804	AA60-40014A	PIN-GT,ASSY;AUTO5	R212	2001-000281	R-CARBON;1000HM,5%,1/8W,AA,TP,1.8X3.2MM
.....5	GT805	AA60-40014A	PIN-GT,ASSY;AUTO5	R213	2001-000290	R-CARBON;1KOHM,5%,1/8W,AA,TP,1.8X3.2MM
.....5	GT806	AA60-40014A	PIN-GT,ASSY;AUTO5	R214	2001-000281	R-CARBON;1000HM,5%,1/8W,AA,TP,1.8X3.2MM
.....5	IC603	1203-000515	IC-VOL. DETECTOR;7042,TO-92,3P,177MIL,PL5	R215	2001-000281	R-CARBON;1000HM,5%,1/8W,AA,TP,1.8X3.2MM
△.....5	IC803	1203-001217	IC-POS.IADJUST REG.;431,TO-92,3P,4.58MIL5	R216	2001-000645	R-CARBON;330KOHM,5%,1/8W,AA,TP,1.8X3.2MM
.....5	J213	2001-000429	R-CARBON;1KOHM,5%,1/8W,AA,TP,1.8X3.2MM5	R217	2001-000857	R-CARBON;5600HM,5%,1/8W,AA,TP,1.8X3.2MM
.....5	J235	3301-000287	CORE-FERRITE BEAD;AA,3.5x1.0x6.0mm,1500,5	R219	2001-000281	R-CARBON;1000HM,5%,1/8W,AA,TP,1.8X3.2MM
.....5	J708	2001-000258	R-CARBON;1.8KOHM,5%,1/8W,AA,TP,1.8X3.2MM5	R220	2001-000281	R-CARBON;1000HM,5%,1/8W,AA,TP,1.8X3.2MM
.....5	L101	2701-000114	INDUCTOR-AXIAL;10uH,10%,2.5x3.4mm5	R221	2001-000739	R-CARBON;4.7MOHM,5%,1/8W,AA,TP,1.8X3.2MM
.....5	L102	2701-000114	INDUCTOR-AXIAL;10uH,10%,2.5x3.4mm5	R222	2001-000739	R-CARBON;4.7MOHM,5%,1/8W,AA,TP,1.8X3.2MM
.....5	L201	2701-000184	INDUCTOR-AXIAL;4.7uH,10%,2.5x3.4mm5	R223	2001-000734	R-CARBON;4.7KOHM,5%,1/8W,AA,TP,1.8X3.2MM
.....5	L202	2701-000177	INDUCTOR-AXIAL;33uH,10%,2.5x3.4mm5	R228	2001-000563	R-CARBON;27KOHM,5%,1/8W,AA,TP,1.8X3.2MM
.....5	L203	2701-000177	INDUCTOR-AXIAL;33uH,10%,2.5x3.4mm5	R229	2001-000563	R-CARBON;27KOHM,5%,1/8W,AA,TP,1.8X3.2MM
.....5	L204	2702-000142	INDUCTOR-RADIAL;22uH,5%,6x6.4mm5	R230	2001-000734	R-CARBON;4.7KOHM,5%,1/8W,AA,TP,1.8X3.2MM
.....5	L205	2701-000114	INDUCTOR-AXIAL;10uH,10%,2.5x3.4mm5	R231	2001-000005	R-CARBON;390ohm,5%,1/8W,AA,TP,1.8X3.2mm
.....5	L206	2701-000114	INDUCTOR-AXIAL;10uH,10%,2.5x3.4mm5	R236	2001-000734	R-CARBON;4.7KOHM,5%,1/8W,AA,TP,1.8X3.2MM

Loc. No.	Code No.	Description ; Specification	Remark	Loc. No.	Code No.	Description ; Specification	Remark	
....5	R245	2001-000591	R-CARBON;3.3KOHM,5%,1/8W,AA,TP,1.8X3.2MM5	R718	2001-000515	R-CARBON;220OHM,5%,1/8W,AA,TP,1.8X3.2MM	
....5	R246	2001-000793	R-CARBON;47OHM,5%,1/8W,AA,TP,1.8X3.2MM5	R719	2001-000554	R-CARBON;270OHM,5%,1/8W,AA,TP,1.8X3.2MM	
....5	R247	2001-000969	R-CARBON;75OHM,5%,1/8W,AA,TP,1.8X3.2MM5	R806	2001-000019	R-CARBON(S);100HM,5%,1/2W,AA,TP,2.4X6.4M	
....5	R248	2001-000343	R-CARBON;1300HM,5%,1/8W,AA,TP,1.8X3.2MM5	R809	2001-000109	R-CARBON(S);470OHM,5%,1/2W,AA,TP,2.4X6.4	
....5	R250	2001-000554	R-CARBON;2700HM,5%,1/8W,AA,TP,1.8X3.2MM5	R810	2001-001192	R-CARBON(S);820OHM,5%,1/2W,AA,TP,2.4X6.4	
....5	R251	2001-000490	R-CARBON;2000HM,5%,1/8W,AA,TP,1.8X3.2MM5	R812	2001-001067	R-CARBON(S);11KOHM,5%,1/2W,AA,TP,2.4X6.4	
....5	R256	2001-000429	R-CARBON;1KOHM,5%,1/8W,AA,TP,1.8X3.2MM5	R813	2001-000290	R-CARBON;10KOHM,5%,1/8W,AA,TP,1.8X3.2MM	
....5	R258	2001-000290	R-CARBON;10KOHM,5%,1/8W,AA,TP,1.8X3.2MM5	R814	2001-000563	R-CARBON;27KOHM,5%,1/8W,AA,TP,1.8X3.2MM	
....5	R260	2001-000449	R-CARBON;2.2KOHM,5%,1/8W,AA,TP,1.8X3.2MM5	R815	2008-000205	R-FUSIBLE(S);10ohm,5%,1/2W,AF,TP,2.5x6.5	
....5	R261	2001-000449	R-CARBON;2.2KOHM,5%,1/8W,AA,TP,1.8X3.2MM5	R816	2901-000297	FILTER-EMI ON BOARD;-.3A,-,-3.5x5,TP,-	
....5	R270	2001-000628	R-CARBON;3000HM,5%,1/8W,AA,TP,1.8X3.2MM5	R817	2001-000020	R-CARBON(S);220HM,5%,1/2W,AA,TP,2.4X6.4M	
....5	R271	2001-000628	R-CARBON;3000HM,5%,1/8W,AA,TP,1.8X3.2MM5	R818	2003-000998	R-METAL OXIDE;300ohm,5%,2W,AF,TP,3.9x10mm	
....5	R272	2001-000281	R-CARBON;1000HM,5%,1/8W,AA,TP,1.8X3.2MM5	R819	2003-002064	R-METAL OXIDE;7.5ohm,5%,2W,AF,TP,10x3.9m	
....5	R273	2001-000281	R-CARBON;1000HM,5%,1/8W,AA,TP,1.8X3.2MM5	R820	2003-002064	R-METAL OXIDE;7.5ohm,5%,2W,AF,TP,10x3.9m	
....5	R274	2001-000281	R-CARBON;1000HM,5%,1/8W,AA,TP,1.8X3.2MM5	R821	2003-002064	R-METAL OXIDE;7.5ohm,5%,2W,AF,TP,10x3.9m	
....5	R275	2001-000281	R-CARBON;1000HM,5%,1/8W,AA,TP,1.8X3.2MM5	R822	2001-000290	R-CARBON;10KOHM,5%,1/8W,AA,TP,1.8X3.2MM	
....5	R276	2001-000281	R-CARBON;1000HM,5%,1/8W,AA,TP,1.8X3.2MM5	R823	2001-001088	R-CARBON(S);1KOHM,5%,1/2W,AA,TP,2.4X6.4M	
....5	R277	2001-000281	R-CARBON;1000HM,5%,1/8W,AA,TP,1.8X3.2MM5	R824	2001-001088	R-CARBON(S);1KOHM,5%,1/2W,AA,TP,2.4X6.4M	
....5	R279	2001-000522	R-CARBON;22KOHM,5%,1/8W,AA,TP,1.8X3.2MM5	R825	2001-001131	R-CARBON(S);33KOHM,5%,1/2W,AA,TP,2.4X6.4	
....5	R280	2004-001914	R-METAL;39Kohm,2%,1/8W,AA,TP,1.8x3.5mm5	R826	2004-001983	R-METAL(S);2.49Kohm,1%,1/2W,AA,TP,2.4x6.4	
....5	R288	2001-000281	R-CARBON;1000HM,5%,1/8W,AA,TP,1.8X3.2MM5	R829	2001-000734	R-CARBON;4.7KOHM,5%,1/8W,AA,TP,1.8X3.2MM	
....5	R289	2001-000011	R-CARBON;75KOHM,5%,1/8W,AA,TP,1.8X3.2MM5	R830	2003-000586	R-METAL OXIDE(S);22Kohm,5%,2W,AF,TP,4x12	
....5	R292	2001-000012	R-CARBON;680KOHM,5%,1/8W,AA,TP,1.8X3.2MM5	R831	2003-000586	R-METAL OXIDE(S);22Kohm,5%,2W,AF,TP,4x12	
....5	R293	2001-000734	R-CARBON;4.7KOHM,5%,1/8W,AA,TP,1.8X3.2MM5	R832	2003-001035	R-METAL OXIDE(S);27ohm,5%,2W,AF,TP,3.9x1	
....5	R294	2001-000734	R-CARBON;4.7KOHM,5%,1/8W,AA,TP,1.8X3.2MM5	R833	2001-000472	R-CARBON;2.7KOHM,5%,1/8W,AA,TP,1.8X3.2MM	
....5	R296	2001-000281	R-CARBON;1000HM,5%,1/8W,AA,TP,1.8X3.2MM5	R834	2004-001889	R-METAL(S);127Kohm,1%,1/2W,AA,TP,2.5x6.5	
....5	R305	2004-001371	R-METAL(S);1.5Kohm,1%,1/2W,AA,TP,2.4x6.45	R835	2001-000290	R-CARBON;10KOHM,5%,1/8W,AA,TP,1.8X3.2MM	
....5	R306	2001-000016	R-CARBON(S);10HM,5%,1/2W,AA,TP,2.4X6.4MM5	R837	2001-001168	R-CARBON(S);6.8KOHM,5%,1/2W,AA,TP,2.4X6.4	
....5	R307	2004-001371	R-METAL(S);1.5Kohm,1%,1/2W,AA,TP,2.4x6.45	R907	2001-000472	R-CARBON;2.7KOHM,5%,1/8W,AA,TP,1.8X3.2MM	
....5	R308	2008-001015	R-FUSIBLE(S);1.5ohm,5%,2W,AF,TP,3.9x10mm5	R908	2001-000472	R-CARBON;2.7KOHM,5%,1/8W,AA,TP,1.8X3.2MM	
....5	R309	2003-002150	R-METAL OXIDE;2700HM,5%,2W,AG,TP,6X16MM5	RE01	2001-000429	R-CARBON;1KOHM,5%,1/8W,AA,TP,1.8X3.2MM	
....5	R310	2003-002150	R-METAL OXIDE;2700HM,5%,2W,AG,TP,6X16MM5	RE02	2001-001178	R-CARBON(S);680OHM,5%,1/2W,AA,TP,2.4X6.4	
....5	R312	2008-001013	R-FUSIBLE(S);1.2ohm,5%,2W,AF,TP,3.9x10mm5	RE03	2001-000290	R-CARBON;10KOHM,5%,1/8W,AA,TP,1.8X3.2MM	
....5	R401	2001-000613	R-CARBON;3.9KOHM,5%,1/8W,AA,TP,1.8X3.2MM5	RE04	2001-000613	R-CARBON;3.9KOHM,5%,1/8W,AA,TP,1.8X3.2MM	
....5	R402	2001-001077	R-CARBON(S);1500HM,5%,1/2W,AA,TP,2.4X6.45	RE05	2004-001397	R-METAL(S);4.7Kohm,1%,1/2W,AA,TP,2.4x6.4	
....5	R403	2001-001079	R-CARBON(S);150HM,5%,1/2W,AA,TP,2.4X6.4M5	RE07	2001-000281	R-CARBON;1000HM,5%,1/8W,AA,TP,1.8X3.2MM	
....5	R404	2001-001114	R-CARBON(S);2700HM,5%,1/2W,AA,TP,2.4X6.45	RE08	2001-000734	R-CARBON;4.7KOHM,5%,1/8W,AA,TP,1.8X3.2MM	
....5	R405	2001-000020	R-CARBON(S);220OHM,5%,1/2W,AA,TP,2.4X6.4M5	RE09	2008-001018	R-FUSIBLE(S);0.47ohm,10%,2W,AF,TP,3.9x10	
....5	R407	2003-002008	R-METAL OXIDE(S);18Kohm,5%,2W,AF,TP,3.9x5	RE10	2004-004048	R-METAL(S);3.9Kohm,1%,1/2W,AA,TP,2.5x6.5	
....5	R408	2003-000540	R-METAL OXIDE(S);1Kohm,5%,2W,AF,TP,4x12mm5	RP01	2008-000205	R-FUSIBLE(S);10ohm,5%,1/2W,AF,TP,2.5x6.5	
....5	R413	2008-000253	R-FUSIBLE(S);0.47ohm,5%,1W,AF,TP,3.9x10mm5	RP02	2001-001124	R-CARBON(S);3.9OHM,5%,1/2W,AA,TP,2.4X6.4	
....5	R414	2008-000253	R-FUSIBLE(S);0.47ohm,5%,1W,AF,TP,3.9x10mm5	RP03	2001-000085	R-CARBON(S);100KOHM,5%,1/2W,AA,TP,2.4X6.4	
....5	R416	2004-001402	R-METAL(S);6.8Kohm,1%,1/2W,AA,TP,2.4x6.4	△5	RP801S	2002-001010	R-COMPOSITION;1.2Mohm,5%,1/2W,AA,TP,3.7x
....5	R417	2001-001174	R-CARBON;62KOHM,5%,1/2W,AA,TP,2.4X6.4MM	△5	RR01S	2008-000206	R-FUSIBLE(S);1ohm,5%,1/2W,AF,TP,2.5x6.5mm
....5	R418	2008-000266	R-FUSIBLE(S);1ohm,5%,2W,AF,TP,3.9x10mm	△5	RR02S	2001-000660	R-CARBON;33KOHM,5%,1/8W,AA,TP,1.8X3.2MM
....5	R419	2003-001040	R-METAL OXIDE(S);47Kohm,5%,2W,AF,TP,3.9x	△5	RR03S	2001-001115	R-CARBON(S);27KOHM,5%,1/2W,AA,TP,2.4X6.4
....5	R423	2003-002007	R-METAL OXIDE(S);4.7Kohm,5%,2W,AF,TP,3.9	△5	RR04S	2001-000009	R-CARBON;20KOHM,5%,1/8W,AA,TP,1.8X3.2MM
....5	R601	2001-000780	R-CARBON;4700HM,5%,1/8W,AA,TP,1.8X3.2MM	△5	RR05S	2004-001379	R-METAL(S);12Kohm,1%,1/2W,AA,TP,2.4x6.4mm
....5	R602	2001-000780	R-CARBON;4700HM,5%,1/8W,AA,TP,1.8X3.2MM	△5	RR07S	2001-000066	R-CARBON(S);10KOHM,5%,1/2W,AA,TP,2.4X6.4
....5	R603	2001-000780	R-CARBON;4700HM,5%,1/8W,AA,TP,1.8X3.2MM	△5	RR401S	2004-001390	R-METAL(S);1Kohm,2%,1/2W,AA,TP,2.4x6.4mm
....5	R604	2001-000780	R-CARBON;4700HM,5%,1/8W,AA,TP,1.8X3.2MM5	RW01	2001-000281	R-CARBON;1000HM,5%,1/8W,AA,TP,1.8X3.2MM	
....5	R605	2001-000281	R-CARBON;1000HM,5%,1/8W,AA,TP,1.8X3.2MM5	RW02	2001-000281	R-CARBON;1000HM,5%,1/8W,AA,TP,1.8X3.2MM	
....5	R606	2001-000281	R-CARBON;1000HM,5%,1/8W,AA,TP,1.8X3.2MM5	RW03	2001-000281	R-CARBON;1000HM,5%,1/8W,AA,TP,1.8X3.2MM	
....5	R607	2001-000281	R-CARBON;1000HM,5%,1/8W,AA,TP,1.8X3.2MM5	RW04	2001-000281	R-CARBON;1000HM,5%,1/8W,AA,TP,1.8X3.2MM	
....5	R608	2001-000281	R-CARBON;1000HM,5%,1/8W,AA,TP,1.8X3.2MM5	RW05	2001-000281	R-CARBON;1000HM,5%,1/8W,AA,TP,1.8X3.2MM	
....5	R609	2001-000786	R-CARBON;47KOHM,5%,1/8W,AA,TP,1.8X3.2MM	△5	RY801S	2002-001012	R-COMPOSITION;8.2Mohm,5%,1/2W,AA,TP,3.7x
....5	R610	2001-000890	R-CARBON;6.8KOHM,5%,1/8W,AA,TP,1.8X3.2MM	△5	VX801S	1405-000152	VARISTOR;560V,2500A,14x8.5mm,TP
....5	R611	2001-000786	R-CARBON;47KOHM,5%,1/8W,AA,TP,1.8X3.2MM5	X201	2801-003433	CRYSTAL-UNIT;12MHZ,30PPM,28-AAAM,30PF,300	
....5	R612	2001-000890	R-CARBON;6.8KOHM,5%,1/8W,AA,TP,1.8X3.2MM5	X601	2801-000186	CRYSTAL-UNIT;18.432MHz,25ppm,28-AAAM,8pf	
....5	R613	2001-000281	R-CARBON;1000HM,5%,1/8W,AA,TP,1.8X3.2MM5	Z202	2903-000129	FILTER-CERAMIC;BR,4.5MHz,-,-,-,TP,-	
....5	R614	2001-000281	R-CARBON;1000HM,5%,1/8W,AA,TP,1.8X3.2MM52	AA94-08273Y	ASSY PCB MISC-CRT;TXM2792FX/XAA,K57A	
....5	R615	2001-000290	R-CARBON;10KOHM,5%,1/8W,AA,TP,1.8X3.2MM3	CN501E	AA39-20031D	LEAD CONNECTOR-ASSY;9P,67096-009,S,500,	
....5	R617	2001-000429	R-CARBON;1KOHM,5%,1/8W,AA,TP,1.8X3.2MM3	CN502E	AA39-20027B	LEAD CONNECTOR-ASSY;6P,67096-006,S,400,	
....5	R618	2001-000290	R-CARBON;10KOHM,5%,1/8W,AA,TP,1.8X3.2MM3	IC501	AA96-50311E	ASSY H/S;-.AA62-30175D,TDAA6108JF,-	
....5	R619	2001-000290	R-CARBON;10KOHM,5%,1/8W,AA,TP,1.8X3.2MM4	1201-001330	IC-VIDEO AMP;6108,ZSIP9P,-SINGLE,-,PLA	
....5	R705	2001-000969	R-CARBON;75OHM,5%,1/8W,AA,TP,1.8X3.2MM4	6003-000334	SCREW-TAPTITE;RH,+2S,M3,L6,ZPC(YEL),SWR	
....5	R706	2001-000969	R-CARBON;75OHM,5%,1/8W,AA,TP,1.8X3.2MM4	AA62-30175D	HEAT SINK-PS;-SECC,T1.0,-,33X15X30 FT-2	
....5	R707	2001-000969	R-CARBON;75OHM,5%,1/8W,AA,TP,1.8X3.2MM3	ICG01	1201-000191	IC-OP AMP;4558,DIP8,300ML,DUAL,20V/mV	
....5	R708	2001-000969	R-CARBON;75OHM,5%,1/8W,AA,TP,1.8X3.2MM3	JA501	3722-001503	JACK-PIN;1P,1PIN,RED,SCR-JACK	
....5	R709	2001-000969	R-CARBON;75OHM,5%,1/8W,AA,TP,1.8X3.2MM3	QF04	AA96-00243L	ASSY H/S;-CRT,AA62-000450A,2SC2344,HERC	
....5	R710	2001-000969	R-CARBON;75OHM,5%,1/8W,AA,TP,1.8X3.2MM4	0205-000129	GREASE-SILICON;SC102,JAPAN	
....5	R711	2001-000969	R-CARBON;75OHM,5%,1/8W,AA,TP,1.8X3.2MM4	0502-000153	TR-POWER;2SC2344-D,NPN,1.2W,TO-220,-60	
....5	R712	2001-000273	R-CARBON;100KOHM,5%,1/8W,AA,TP,1.8X3.2MM4	6003-000335	SCREW-TAPTITE;RH,+2S,M3,L8,ZPC(YEL),SWR	
....5	R713	2001-000273	R-CARBON;100KOHM,5%,1/8W,AA,TP,1.8X3.2MM4	AA62-00045A	HEAT SINK-PS;-T1.0,-,DREAM,-,-,-,-,	
....5	R714	2001-000786	R-CARBON;47KOHM,5%,1/8W,AA,TP,1.8X3.2MM3	QF05	AA96-00243M	ASSY H/S;-AMP,AA62-000450A,2SA1011,HERC	
....5	R716	2001-000522	R-CARBON;22KOHM,5%,1/8W,AA,TP,1.8X3.2MM4	0205-000129	GREASE-SILICON;SC102,JAPAN	
....5	R717	2001-000429	R-CARBON;1KOHM,5%,1/8W,AA,TP,1.8X3.2MM4	0502-000131	TR-POWER;2SA1011-D,PNP,1.2W,TO-220,-60	

Loc. No.	Code No.	Description ; Specification	Remark
....4	6003-000335	SCREW-TAPTITE,RH,+,2S,M3,L8,ZPC(YEL),SWR	
....4	AA62-00045A	HEAT SINK-PS,-,-,T1.0,-,-,DREAM,-,-,-,-,-	
...3	VA999	3704-000114 SOCKET-CRT;14P;29.1,35.5,SN,ISH09S/BK	
...3	AA39-20010D	LEAD CONNECTOR-ASSY;,1P,YFH800-01,S,400,	
...3	AA97-07608D	ASSY AUTO-CRT;TXM2792FX/XAA,K57A	
....4	C509	2201-000723 C-CERAMIC,DISC;4.7nF,20%,3KV,Y5U,TP,16x5	
....4	C510	2401-001232 C-AL;4.7uF,20%,250V,GP,TP,10x12.5,5	
....4	C512	2301-000192 C-FILM,PEF;1nF,5%,50V,TP,5.3x10mm,5mm	
....4	C514	2401-000430 C-AL;10uF,20%,250V,GP,TP,10x16mm,5m	
....4	C515	2401-001563 C-AL;47uF,20%,400V,GP,TP,16x25,7.5	
....4	C516	2305-000704 C-FILM,MPEF;100nF,5%,250V,TP,16.5x10.3x5	
....4	C520	2401-002267 C-AL;2.2uF,20%,250V,GP,TP,8x11.5,5	
....4	CF01	2201-000370 C-CERAMIC,DISC;0.22nF,10%,50V,Y5P,TP,4x3	
....4	CF02	2301-000192 C-FILM,PEF;1nF,5%,50V,TP,5.3x10mm,5mm	
....4	CF03	2201-000376 C-CERAMIC,DISC;0.22nF,5%,50V,SL,TP,6.3x3	
....4	CF04	2201-000653 C-CERAMIC,DISC;0.068nF,5%,50V,SL,TP,5x3,	
....4	CF05	2301-000261 C-FILM,PEF;4.7nF,5%,100V,TP,10.5x12.5x6.	
....4	CF06	2201-000516 C-CERAMIC,DISC;4.7nF,+100-0%,500V,Y5U,TP	
....4	CF07	2305-000704 C-FILM,MPEF;100nF,5%,250V,TP,16.5x10.3x5	
....4	CF08	2201-000604 C-CERAMIC,DISC;0.056nF,+100-0%,500V,SL,T	
....4	CF10	2401-001840 C-AL;100uF,20%,16V,GP,TP,6.3x11,5	
....4	CF11	2401-000927 C-AL;22uF,20%,250V,GP,TP,13x20,5	
....4	CF12	2401-001840 C-AL;100uF,20%,16V,GP,TP,6.3x11,5	
....4	CF14	2401-000832 C-AL;220uF,20%,25V,GP,TP,8x11.5,5	
....4	CG01	2401-000832 C-AL;220uF,20%,25V,GP,TP,8x11.5,5	
....4	CG02	2305-000149 C-FILM,MPEF;100nF,5%,100V,TP,12x12.5x6.5	
....4	CG03	2401-000493 C-AL;10uF,20%,50V,LZ,TP,5x11mm,5mm	
....4	CG04	2401-000832 C-AL;220uF,20%,25V,GP,TP,8x11.5,5	
....4	CN501A	3711-002648 CONNECTOR-HEADER;BOX,9P,1R,2.5mm,STRAIGH	
....4	CN502A	3711-002645 CONNECTOR-HEADER;BOX,6P,1R,2.5mm,STRAIGH	
....4	CNF01	3711-002642 CONNECTOR-HEADER;BOX,3P,1R,2.5mm,STRAIGH	
....4	CNG01	3711-002643 CONNECTOR-HEADER;BOX,4P,1R,2.5mm,STRAIGH	
....4	D504	0402-000254 DIODE-RECTIFIER;RGPIQJ,600V,1A,DO-41,TP	
....4	D514	0402-001105 DIODE-RECTIFIER;ERB43-04SV1,400V,1.0A,-,	
....4	D515	0402-001105 DIODE-RECTIFIER;ERB43-04SV1,400V,1.0A,-,	
....4	D516	0402-001105 DIODE-RECTIFIER;ERB43-04SV1,400V,1.0A,-,	
....4	D517	0402-001105 DIODE-RECTIFIER;ERB43-04SV1,400V,1.0A,-,	
....4	D518	0402-001105 DIODE-RECTIFIER;ERB43-04SV1,400V,1.0A,-,	
....4	D519	0402-001105 DIODE-RECTIFIER;ERB43-04SV1,400V,1.0A,-,	
....4	DF01	0401-000005 DIODE-SWITCHING;1N4148,100V,200mA,DO-35,	
....4	DF02	0402-001105 DIODE-RECTIFIER;ERB43-04SV1,400V,1.0A,-,	
....4	DF03	0402-001105 DIODE-RECTIFIER;ERB43-04SV1,400V,1.0A,-,	
....4	DF04	0401-000005 DIODE-SWITCHING;1N4148,100V,200mA,DO-35,	
....4	DG01	0401-000005 DIODE-SWITCHING;1N4148,100V,200mA,DO-35,	
....4	DZ501	0403-001211 DIODE-ZENER;MTZJ12B,11.44-12.03V,500MW,D	
....4	DZ502	0403-001211 DIODE-ZENER;MTZJ12B,11.44-12.03V,500MW,D	
....4	DZ503	0403-001211 DIODE-ZENER;MTZJ12B,11.44-12.03V,500MW,D	
....4	DZ504	0403-001211 DIODE-ZENER;MTZJ12B,11.44-12.03V,500MW,D	
....4	DZ507	0403-001325 DIODE-ZENER;MTZJ15C,14.35-15.09V,500mW,D	
....4	DZF01	0403-001039 DIODE-ZENER;MA2560,56V,52-60V,1W,DO-41,T	
....4	DZF02	0403-001039 DIODE-ZENER;MA2560,56V,52-60V,1W,DO-41,T	
....4	DZG501	0403-001328 DIODE-ZENER;MTZJ22A,20.15-21.20V,500mW,D	
....4	EL79	6042-000001 EYELET;ID2.2,OD2.7,L3.1,SN,BSS3-E/EH	
....4	EL80	6042-000001 EYELET;ID2.2,OD2.7,L3.1,SN,BSS3-E/EH	
....4	EL81	6042-000001 EYELET;ID2.2,OD2.7,L3.1,SN,BSS3-E/EH	
....4	EL82	6042-000001 EYELET;ID2.2,OD2.7,L3.1,SN,BSS3-E/EH	
....4	EL83	6042-000001 EYELET;ID2.2,OD2.7,L3.1,SN,BSS3-E/EH	
....4	EL84	6042-000001 EYELET;ID2.2,OD2.7,L3.1,SN,BSS3-E/EH	
....4	EL85	6042-000001 EYELET;ID2.2,OD2.7,L3.1,SN,BSS3-E/EH	
....4	EL86	6042-000001 EYELET;ID2.2,OD2.7,L3.1,SN,BSS3-E/EH	
....4	EL87	6042-000001 EYELET;ID2.2,OD2.7,L3.1,SN,BSS3-E/EH	
....4	EL88	6042-000001 EYELET;ID2.2,OD2.7,L3.1,SN,BSS3-E/EH	
....4	EL89	6042-000001 EYELET;ID2.2,OD2.7,L3.1,SN,BSS3-E/EH	
....4	EL90	6042-000001 EYELET;ID2.2,OD2.7,L3.1,SN,BSS3-E/EH	
....4	EL93	6042-000001 EYELET;ID2.2,OD2.7,L3.1,SN,BSS3-E/EH	
....4	EL94	6042-000001 EYELET;ID2.2,OD2.7,L3.1,SN,BSS3-E/EH	
....4	EL95	6042-000001 EYELET;ID2.2,OD2.7,L3.1,SN,BSS3-E/EH	
....4	EL96	6042-000001 EYELET;ID2.2,OD2.7,L3.1,SN,BSS3-E/EH	
....4	EY501	AA60-40011A K EYELET;ID2.0,OD2.8,BST	
....4	GT504	AA60-40014A PIN-GT,ASSY,AUTO	
....4	GT505	AA60-40014A PIN-GT,ASSY,AUTO	
....4	GT506	AA60-40014A PIN-GT,ASSY,AUTO	
....4	L501	2701-000112 INDUCTOR-AXIAL;100uH,10%,3x7mm	
....4	L503	3301-000287 CORE-FERRITE BEAD;AA,3.5x1.0x6.0mm,1500,	
....4	L504	2701-000115 INDUCTOR-AXIAL;10uH,10%,3x7mm	
....4	L507	2701-000115 INDUCTOR-AXIAL;10uH,10%,3x7mm	
....4	L508	2701-000112 INDUCTOR-AXIAL;100uH,10%,3x7mm	

Loc. No.	Code No.	Description ; Specification	Remark
....4	L509	2901-000297 FILTER-EMI ON BOARD;-3A,-,-,3.5x5,TP-	
....4	LF01	3301-000287 CORE-FERRITE BEAD;AA,3.5x1.0x6.0mm,1500,	
....4	LF02	2701-000112 INDUCTOR-AXIAL;100uH,10%,3x7mm	
....4	LF04	2901-000297 FILTER-EMI ON BOARD;-3A,-,-,3.5x5,TP-	
....4	LF05	2901-000297 FILTER-EMI ON BOARD;-3A,-,-,3.5x5,TP-	
....4	LF06	2901-000297 FILTER-EMI ON BOARD;-3A,-,-,3.5x5,TP-	
....4	LF07	2901-000297 FILTER-EMI ON BOARD;-3A,-,-,3.5x5,TP-	
....4	PCB	AA41-00683A PCB-CRT;QUEST,FR-1,1L,A,1.6T,330X245,K57	
....4	QF01	0501-000389 TR-SMALL SIGNAL;KSC815,NPN,400mW,TO-92,T	
....4	QF02	0501-000389 TR-SMALL SIGNAL;KSC815,NPN,400mW,TO-92,T	
....4	QF03	0501-000389 TR-SMALL SIGNAL;KSC2331-Y,NPN,1000mW,TO-	
....4	QG01	0501-000283 TR-SMALL SIGNAL;KSA539,PNP,400mW,TO-92,T	
....4	QG02	0502-000244 TR-POWER;KSA940,PNP,1.5W,TO-220,-40-14	
....4	QG03	0502-001007 TR-POWER;KSC2073-H2,NPN,25W,TO-220,ST,6	
....4	R509	2001-000490 R-CARBON;2000HM,5%,1/8W,AA,TP,1.8X3.2MM	
....4	R511	2001-000490 R-CARBON;2000HM,5%,1/8W,AA,TP,1.8X3.2MM	
....4	R512	2002-001008 R-COMPOSITION;1.8Kohm,10%,1/2W,AA,TP,3.7	
....4	R515	2002-001008 R-COMPOSITION;1.8Kohm,10%,1/2W,AA,TP,3.7	
....4	R517	2001-000490 R-CARBON;2000HM,5%,1/8W,AA,TP,1.8X3.2MM	
....4	R518	2002-001008 R-COMPOSITION;1.8Kohm,10%,1/2W,AA,TP,3.7	
....4	R519	2008-000299 R-FUSIBLE(S);47ohm,5%,2W,AF,TP,3.9x10mm	
....4	R521	2002-001009 R-COMPOSITION;2.7Kohm,10%,1/2W,AA,TP,3.7	
....4	R522	2008-001129 R-FUSIBLE(S);1.5ohm,5%,1/2W,AF,TP,2.5x6.	
....4	R523	2008-001018 R-FUSIBLE(S);0.47ohm,10%,2W,AF,TP,3.9x10	
....4	R548	2001-001062 R-CARBON(S);10MOHM,5%,1/2W,AA,TP,2.4X6.4	
....4	RF01	2001-000449 R-CARBON;2.2KOHM,5%,1/8W,AA,TP,1.8X3.2MM	
....4	RF02	2001-000405 R-CARBON;1800HM,5%,1/8W,AA,TP,1.8X3.2MM	
....4	RF03	2001-000362 R-CARBON;1500HM,5%,1/8W,AA,TP,1.8X3.2MM	
....4	RF04	2001-000449 R-CARBON;2.2KOHM,5%,1/8W,AA,TP,1.8X3.2MM	
....4	RF05	2001-000362 R-CARBON;1500HM,5%,1/8W,AA,TP,1.8X3.2MM	
....4	RF06	2001-001107 R-CARBON(S);220ohm,5%,1/2W,AA,TP,2.4x6.4	
....4	RF07	2001-000924 R-CARBON;680OHM,5%,1/8W,AA,TP,1.8X3.2MM	
....4	RF08	2001-000313 R-CARBON;11KOHM,5%,1/8W,AA,TP,1.8X3.2MM	
....4	RF09	2001-000221 R-CARBON;1.2KOHM,5%,1/8W,AA,TP,1.8X3.2MM	
....4	RF10	2001-000241 R-CARBON;1.5KOHM,5%,1/8W,AA,TP,1.8X3.2MM	
....4	RF11	2001-000241 R-CARBON;1.5KOHM,5%,1/8W,AA,TP,1.8X3.2MM	
....4	RF12	2001-000221 R-CARBON;1.2KOHM,5%,1/8W,AA,TP,1.8X3.2MM	
....4	RF13	2001-001179 R-CARBON(S);68KOHM,5%,1/2W,AA,TP,2.4X6.4	
....4	RF14	2001-001071 R-CARBON(S);12KOHM,5%,1/2W,AA,TP,2.4X6.4	
....4	RF15	2001-001170 R-CARBON(S);6.8KOHM,5%,1/2W,AA,TP,2.4X6.4	
....4	RF16	2001-001179 R-CARBON(S);68KOHM,5%,1/2W,AA,TP,2.4X6.4	
....4	RF17	2001-001124 R-CARBON(S);3.9KOHM,5%,1/2W,AA,TP,2.4X6.4	
....4	RF18	2003-000458 R-METAL OXIDE(S);100ohm,5%,2W,AF,TP,4x12	
....4	RF19	2003-001023 R-METAL OXIDE(S);120ohm,5%,2W,AF,TP,3.9x	
....4	RF20	2003-002214 R-METAL OXIDE(S);680ohm,5%,2W,AG,TP,3.9x	
....4	RF21	2003-002214 R-METAL OXIDE(S);680ohm,5%,2W,AG,TP,3.9x	
....4	RF22	2003-002214 R-METAL OXIDE(S);680ohm,5%,2W,AG,TP,3.9x	
....4	RF23	2003-000746 R-METAL OXIDE(S);56ohm,5%,2W,AF,TP,4x12m	
....4	RF24	2003-000746 R-METAL OXIDE(S);56ohm,5%,2W,AF,TP,4x12m	
....4	RF25	2003-001018 R-METAL OXIDE(S);220ohm,5%,2W,AF,TP,3.9x	
....4	RF26	2001-000313 R-CARBON;11KOHM,5%,1/8W,AA,TP,1.8X3.2MM	
....4	RG01	2004-001397 R-METAL(S);4.7Kohm,1%,1/2W,AA,TP,2.4x6.4	
....4	RG02	2004-002022 R-METAL(S);51Kohm,1%,1/2W,AA,TP,2.4x6.4m	
....4	RG03	2004-001987 R-METAL(S);4.3Kohm,1%,1/2W,AA,TP,2.4x6.4	
....4	RG04	2004-002022 R-METAL(S);51Kohm,1%,1/2W,AA,TP,2.4x6.4m	
....4	RG05	2001-001163 R-CARBON(S);560OHM,5%,1/2W,AA,TP,2.4X6.4	
....4	RG06	2001-001100 R-CARBON(S);2.7OHM,5%,1/2W,AA,TP,2.4X6.4	
....4	RG07	2001-001100 R-CARBON(S);2.7OHM,5%,1/2W,AA,TP,2.4X6.4	
....4	RG08	2001-001163 R-CARBON(S);560OHM,5%,1/2W,AA,TP,2.4X6.4	
...3	AA63-10002A	BAND-TIE;NYLON66 V2,L100,NTR	
...3	0202-000187	SOLDER-WIRE FLUX;- ,RS60S,D1.2,63Sn/37Pb	

ASSY COVER REAR

1	*	AA90-02037X	ASSY COVER REAR;29M6,VO BLK,9P+DVD+S-VID
..2	CABBAC	AA60-00091J	SPACER-FELT;- ,FELT,330X10,-,-,BLK,TO,5-
..2		AA65-30008A	CLAMPER CORE-CORD;- ,PE,HB,-,BLK,-
..2		AA64-60421C	INLAY-COVER;- ,PS,TO,3,-,-,BLK,SEA
..2		AA64-02099F	CABINET-BACK;29M6,HIPS,VO,BLK
..2		AA64-00892G	INLAY-BACK;D2,D3,PS SHEET,TO,3,-,-,BLK,R
..2		AA60-00091P	SPACER-FELT;- ,FELT,500X10,BLK,TO,5

Loc. No.	Code No.	Description ; Specification	Remark	Loc. No.	Code No.	Description ; Specification	Remark
----------	----------	-----------------------------	--------	----------	----------	-----------------------------	--------

ASSY COVER FRONT

1	*	AA90-03243K	ASSY COVER FRONT;TXM2792FX/XAA
..2		AV+CF 6003-001019	SCREW-TAPTITE;RH,+,B,M4,L12,ZPC(BLK),SWR
..2		BRA+CF 6002-000522	SCREW-TAPPING;TH,+,2,M4,L15,ZPC(BLK),SWR
..2		CB+CF AA60-10050T	SCREW-TAPPING;- ,SWRCH18A,M4,L20,RH,+,2S,
..2		CB+HP 6003-001023	SCREW-TAPTITE;RWH,+,B,M3,L10,ZPC(YEL),SW
..2		CB+RJ 6003-001026	SCREW-TAPTITE;RH,+,B,M4,L15,ZPC(BLK),SWR
..2		CRT AA64-01334B	INLAY-CRT;ORION,PS SHEET,T1.0,50*30,-,-
..2		CRT+CF AA60-10050V	SCREW-ASSY;- ,SWRCH18A,M6,L30,HH,+,WC,-,Z
..2		PCB+CF 6003-001026	SCREW-TAPTITE;RH,+,B,M4,L15,ZPC(BLK),SWR
..2		PCB+HP 6003-001023	SCREW-TAPTITE;RWH,+,B,M3,L10,ZPC(YEL),SW
..2		SPK+CF 6006-001095	SCREW-ASS'Y TAPT;WP,BH,+,M4,L12,ZPC(YEL)
..2		AA91-00507A	ASSY HOLDER SPK;-,-,80HM/15W,-,ASSY HOLD
..2		AA60-00055C	SPACER-GUM,CRT;ALL MODEL,NTR RUBBER,GRY,
..2		AA91-00777V	ASSY CABINET FRONT;29M6 K57A SEA,DG703P
..3	KC+CF	6003-001026	SCREW-TAPTITE;RH,+,B,M4,L15,ZPC(BLK),SWR
..3	WR+CF	6003-001026	SCREW-TAPTITE;RH,+,B,M4,L15,ZPC(BLK),SWR
..3		AA64-02102E	KNOB CONTROL;25M6,29M6,ABS,HB,G3676,SV70
..3		AA64-02103B	WINDOW-RMC,LED;25M6,29M6,ACRYL,HB,CLEAR
..3		AA64-02104F	DECORATION-POWER;25M6,29M6,ABS,HB,G3676,
..3		AA64-70117B	BADGE-BRAND;- ,AL,-,-,L65,R2000,SILVER,SS
..3		AA65-00011C	CLAMPER CORE-WIRE;ALL MODEL,NYLON 66,V2,
..3		AA65-30105A	CLAMPER CORE-WIRE;ALL MODEL,NYLON 66,V2,
..3		AA64-02100F	KNOB POWER;25M6,29M6,ABS,HB,G3676,DG703P
..3		AA61-00711D	HOLDER-PCB;29U1,U2,HIPS VO,BK502(HB-PROP
..3		AA61-60003J	SPRING ETC-CS;- ,SUS304,-,-,OD6,N7,OD6,-,
..3		AA63-00488G	COVER-CONTROL;29M6,ABS,HB,G3676,SV704P+C
..3		AA64-01506N	INLAY-AV;29M6,PVC-SHEET,T0.3,D/GRAY,K57A
..3		AA64-02096S	CABINET-FRONT;29M6 SEA,HIPS,VO,BLK,DG703
..2		AA73-00005B	RUBBER-CAP;FLAT,PRJ,SILICONE RUBBER,WHIT
..2		AA65-30017A	CLAMPER CORE-D,COIL;- ,NYLON-66,VO,-,NTR,
..2		AA65-00019A	CLAMPER CORE-D,COIL;25-34,NYLON 66,V2,N
..2		AA61-10054A	BRACKET-CRATER;6277,STS304,T0.5,-,-,-,-
..2		AA61-00813B	SUPPORT-CRT;25M6,29M6,HIPS,HB,NATURL

ASSY P/MATERIAL

1	*	AA92-03126U	ASSY P/MATERIAL;29M6
..2		AA63-10007C	BAND-PP;W18,CLEA,1G
..2		AA60-40006A	PIN-STAPLE;33X17.8X2.4,H18,33X17.8X2.4

ASSY CPT

1	*	AA91-03995N	ASSY CPT;A68QCP(+),29,+380MG,ITC,SDI FL
..2		AA27-20002Q	COIL DEGAUSSING;- ,29,14ohm,70T,L3300,E
..2		AA91-02173K	ASSY CPT;A68QCP891X100,29,+380MGAA03-00
△ ..3		AA03-00273A	CRT COLOR;A68QCP891X100,+380MG,1.1MH,14.
..2		AA98-70011A	ASSY TBC WIRE(P);-,29INCH,NTSC,PAL,2P-WH
..2		3301-001456	CORE-FERRITE;AE,15°ø7ø18MM,-,-

ASSY ACCESSORY

1	*	AA92-05394Q	ASSY ACCESSORY;TXM2792FX/XAA,TXM2792F,EN
..2		AA68-40065B	CARD-REGISTRATION;SEA,A5,ENG,A/P220,2P(
..2		AA68-02477A	MANUAL USERS;TXM2792F,ENG,W/P100,K57A,B5
..2		AA68-00372A	CARD-WARRANTY;CTV,TVCR ALL,W/P100(G),B5,
..2		AA59-00141D	REMOCON;TM58,SSM174PT,41,SS,L/GRAY,MBR,
..3		2802-000194	RESONATOR-CERAMIC;8MHz,1.0%,TP,8.5x4.5x5
..3		AA09-00052A	IC MICOM;Z86L8808SSC-R5019,2-3.9V,REMOCO

7-2 TXM2792FX/XAC

Loc. No.	Code No.	Description ; Specification	Remark	
		ASSY CHASSIS		
1 *	AA91-05511F	ASSY CHASSIS;TXM2792FX/XAC		
△.2	AA96-20129A	ASSY POWER CORD;-,EP2/YES,H/C300,ME301P,		
...3	3811-000401	WIRE-PVC CU;BCWA,300V,ROLL,17/0.16mm,#22		
...3	AA39-10007Y	CBF POWER CORD;-,EP2/YES,SPT-2 18AWGx2C,		
...3	AA61-20284A	HOLDER;P-CORD,PP,-,-,BLK,VO,KE-002		
.2	AA94-11565A	ASSY PCB MISC-CONTROL;TXM2792FX/XAA,K57A		
...3	CNY01 AA39-00100C	LEAD CONNECTOR-ASSY;4P;YBNH250-04,35155		
...3	CNY02 AA39-20005A	LEAD CONNECTOR-ASSY;3P;YBNH025-03,67096		
...3	CY01 2401-001840	C-AL;100uF,20%,16V,GP,TP,6.3x11.5		
...3	LDY02 0601-000465	LED;ROUND,GRN,5mm,565		
...3	RMY01 AA32-00012A	MODULE REMOCON;ORC-50HF2,38KHZ,940NM,MES		
...3	SW07 3404-000176	SWITCH-TACT;12V,50mA,120gf,6x6mm,SPST		
...3	SWY02 3404-000176	SWITCH-TACT;12V,50mA,120gf,6x6mm,SPST		
...3	SWY03 3404-000176	SWITCH-TACT;12V,50mA,120gf,6x6mm,SPST		
...3	SWY04 3404-000176	SWITCH-TACT;12V,50mA,120gf,6x6mm,SPST		
...3	SWY05 3404-000176	SWITCH-TACT;12V,50mA,120gf,6x6mm,SPST		
...3	SWY06 3404-000176	SWITCH-TACT;12V,50mA,120gf,6x6mm,SPST		
...3	AA97-07608W	ASSY AUTO-CONTROL;TXM2792FX/XAA,K57A		
...4	DZY01 0403-000508	DIODE-ZENER;MTZJ5.6B,5.6V,5.45-5.73V,500		
...4	PCB AA41-00709A	PCB-QUEST CONTROL;TXM2792FX,FR-1,1L,A,1,		
...4	RY01 2001-000472	R-CARBON;2.7KOHM,5%,1/8W,AA,TP,1.8X3.2MM		
...4	RY02 2001-000241	R-CARBON;1.5KOHM,5%,1/8W,AA,TP,1.8X3.2MM		
...4	RY03 2001-000005	R-CARBON;390ohm,5%,1/8W,AA,TP,1.8x3.2mm		
...4	RY04 2001-000472	R-CARBON;2.7KOHM,5%,1/8W,AA,TP,1.8X3.2MM		
...4	RY05 2001-000241	R-CARBON;1.5KOHM,5%,1/8W,AA,TP,1.8X3.2MM		
...4	RY06 2001-000005	R-CARBON;390ohm,5%,1/8W,AA,TP,1.8x3.2mm		
...4	RY07 2001-000793	R-CARBON;470HM,5%,1/8W,AA,TP,1.8X3.2MM		
...4	RY08 2001-000924	R-CARBON;680OHM,5%,1/8W,AA,TP,1.8X3.2MM		
...3	3301-001456	CORE-FERRITE;AE,15°φ7φ18MM,-,-		
...3	AA63-10002A	BAND-TIE;NYLON66 V2,L100,NTR		
...3	0202-000187	SOLDER-WIRE FLUX;-,RS60S,D1.2,63Sn/37Pb		
.2	AA94-08584K	ASSY PCB MISC-A/V SIDE;TXM2792FX/XAA,K57		
...3	CN701 AA39-20068E	LEAD CONNECTOR-ASSY;8P;YBNH025-08,67096		
...3	CN702 AA39-20070F	LEAD CONNECTOR-ASSY;7P;YBNH025-07,67096		
...3	CN703 AA39-20069C	LEAD CONNECTOR-ASSY;5P;YBNH025-05,67096		
...3	CN704 AA39-00070A	LEAD CONNECTOR-ASSY;4P;YBNH250-04,35184		
...3	JA701 3722-001031	JACK-PIN;3P;3.6mm,φ18,AU		
...3	JH701 3722-000143	JACK-PHONE;1P(VER),3.4PI,AG,BLK,NO		
...3	JS701 3722-001163	JACK-VHS;4P;12mm,AU,BLK,N		
...3	AA97-12914A	ASSY AUTO-A/V SIDE;TXM2792FX/XAA,K57A		
...4	C701 2202-000121	C-CERAMIC,MLC-AXIAL;100pF,10%,50V,Y5P,TP		
...4	C702 2202-000121	C-CERAMIC,MLC-AXIAL;100pF,10%,50V,Y5P,TP		
...4	C703 2202-000231	C-CERAMIC,MLC-AXIAL;330pF,10%,50V,Y5P,TP		
...4	C704 2202-000231	C-CERAMIC,MLC-AXIAL;330pF,10%,50V,Y5P,TP		
...4	C705 2401-002009	C-AL;100uF,20%,16V,GP,TP,6.3x7.5		
...4	C706 2401-002009	C-AL;100uF,20%,16V,GP,TP,6.3x7.5		
...4	L701 2701-000114	INDUCTOR-AXIAL;10uH,10%,2.5x3.4mm		
...4	L702 2701-000114	INDUCTOR-AXIAL;10uH,10%,2.5x3.4mm		
...4	L703 2701-000114	INDUCTOR-AXIAL;10uH,10%,2.5x3.4mm		
...4	L704 2701-000114	INDUCTOR-AXIAL;10uH,10%,2.5x3.4mm		
...4	L707 3301-000287	CORE-FERRITE BEAD;AA,3.5x1.0x6.0mm,1500,		
...4	L708 3301-000287	CORE-FERRITE BEAD;AA,3.5x1.0x6.0mm,1500,		
...4	PCB AA41-00345A	PCB-SIDE A/V;CS29K1,FR-1,1L,A,1.6T,245x2		
...4	R701 2001-000028	R-CARBON(S);100OHM,5%,1/2W,AA,TP,2.4X6.4		
...4	R702 2001-000028	R-CARBON(S);100OHM,5%,1/2W,AA,TP,2.4X6.4		
...4	R703 2001-000969	R-CARBON;75OHM,5%,1/8W,AA,TP,1.8X3.2MM		
...4	R704 2001-000969	R-CARBON;75OHM,5%,1/8W,AA,TP,1.8X3.2MM		
...3	0202-000187	SOLDER-WIRE FLUX;-,RS60S,D1.2,63Sn/37Pb		
.2	AA94-08533T	ASSY PCB MAIN;TXM2792FX/XAA,K57A		
...3	AA39-20010B	LEAD CONNECTOR-ASSY;1P;YFH800-01,S,500,		
...3	C406 2301-001296	C-FILM,MPPF;720NF,5%,400V,BK,26X15.5X20M		
...3	C803 2401-001652	C-AL;680uF,20%,250V,GP,BK,25x50mm,1,		
△.3	D801S	ASSY H/S;-,BRIDGE,AA62-00052A,GSIB660,K		
...4	AA62-00052A	HEAT SINK-PS;-,SILVER,HOLE 18.5mm, 2		
...4	AA60-30003A	WASHER;T1.5,SBHG-1		
...4	6003-000335	SCREW-TAPTITE;RH,+2S,M3,L8,ZPC(YEL),SWR		
...4	0402-001399	DIODE-BRIDGE;GSIB660,600V,6A,SIP-4,BK		
...4	0205-000129	GREASE-SILICON;SC102,JAPAN		
△.3	D805	BP96-00022F	ASSY HEAT SINK P;H/S TR,SCREW,FFFP10U20S	
...4	CIS 0205-001027	OIL-SILICON;G746,-,-		

Loc. No.	Code No.	Description ; Specification	Remark	
...4	CIS 0402-001375	DIODE-RECTIFIER;FFFP10U20S,200V,10A,TO-2		
...4	CIS 6003-000335	SCREW-TAPTITE;RH,+2S,M3,L8,ZPC(YEL),SWR		
...4	CIS AA62-00045A	HEAT SINK-PS;-,T1.0,-,-,DREAM,-,-,-,-		
△.3	D808	BP96-00020J	ASSY HEAT SINK P;H/S TR,SCREW,FMG-G2CS,0	
...4	CIS 0205-001027	OIL-SILICON;G746,-,-		
...4	CIS 0402-001230	DIODE-RECTIFIER;FMG-G2CS,1000V,3A,TO-220		
...4	CIS 6003-000335	SCREW-TAPTITE;RH,+2S,M3,L8,ZPC(YEL),SWR		
...4	CIS AA62-00045A	HEAT SINK-PS;-,T1.0,-,-,DREAM,-,-,-,-		
△.3	D812	0406-001007	DIODE-TVS;P6KE180A,171/180/189V,600V,CAS	
△.3	IC201S	AA09-00316A	IC MICOM;TDA9592PS/N1/31,SPM-464A,64P,3,	
...3	IC602	AA96-50398A	ASSY H/S;-,AA62-30182E,TDA7297,-	
...4	0205-000129	GREASE-SILICON;SC102,JAPAN		
...4	1201-001064	IC-POWER AMP;7297,ZIP,15P,-,DUAL,32dB,PL		
...4	6003-000333	SCREW-TAPTITE;RH,+2S,M3,L10,ZPC(YEL),SW		
...4	AA62-30182E	HEAT SINK-ES;-A6063 EXTR,-,WHT,-,-,-,40		
△.3	IC801S	AA96-50371J	ASSY H/S;BRKT-SCREW,KA5Q1265RF,OIL SILIC	
...4	CIS AA62-30181H	HEAT SINK-ES;-AL6063 EXTR.2,WHT,50MM,-		
...4	CIS AA61-11028A	BRACKET;-SECC,T1.0,-,-,-		
...4	CIS 6003-000333	SCREW-TAPTITE;RH,+2S,M3,L10,ZPC(YEL),SW		
...4	CIS 1203-002597	IC-PWM CONTROLLER;KA5Q1265RF-YDTU,TO-3PF		
...4	CIS 0205-001027	OIL-SILICON;G746,-,-		
...3	ICP01 1203-002177	IC-PWM CONTROLLER;VIPER12ADIP,DIP,8P,300		
...3	JA701 3722-001333	JACK-PIN;9P;3.2mm,NL,BLK,-		
...3	JA702 3722-001423	JACK-PIN;3P+S1P;3.4mm,NL,BLK,-		
...3	L405 AA27-00057A	COIL HORIZ. WIDTH;-,10mH,YL-9N 15x27.5 C		
...3	L410 AA27-00067A	COIL HORIZ. WIDTH;-,240uH,YL9N 12x20 C,6		
...3	Q401 AA96-00624A	ASSY H/S;-POWER,AA62-00057A,KSD5703,WAS		
...4	AA62-00057A	HEAT SINK-PS;-,T1.0,-,-,41°20°60,D2,-,-		
...4	AA60-30001A	WASHER-PLATE;M3,JD3.5,15X8.5,T1.0,SBHG		
...4	6003-000333	SCREW-TAPTITE;RH,+2S,M3,L10,ZPC(YEL),SW		
...4	0502-001136	TR-POWER;KSD5703,NPN,70W,TO-3PF,ST,8-		
...4	0205-000129	GREASE-SILICON;SC102,JAPAN		
△.3	T444S	AA26-00057A	TRANS FBT;-FUH-29A001B(S),25/29,130	
△.3	T801S	AA26-00179A	TRANS SWITCHING;49B135,QJEST,90-264V,PM5	
...3	TP801	BP26-00001A	TRANS SWITCHING-POWER;19B012,P55A,HCM421	
...3	AA60-40012D	PIN-GT,ASSY;T1.6-6.12-5. NYLON66		
...3	AA65-30110A	CLAMPER CORE-WIRE;ALL MODEL,NYLON 66,V2,		
...3	AA65-30018A	CLAMPER CORE-WIRE;DONG-A,NYLON-66,-,-,-		
...3	0202-000187	SOLDER-WIRE FLUX;-,RS60S,D1.2,63Sn/37Pb		
...3	AA97-07560Z	ASSY ROBOT-MAIN;TXM2792FX/XAA,K57A		
...4	C821 2401-003633	C-AL;220UF,20%,160V,GP,ST,22X25MM,10		
...4	CN902 3711-003043	CONNECTOR-HEADER;BOX,4P,1R,2.5mm,STRAIGH		
△.4	CR402S	2301-001037	C-FILM,PPF;6.8nF,3%,1800V,TP,29x10x18,20	
△.4	CR403S	2306-000327	C-FILM,MPPF;6.3nF,3%,1.6KV,TP,28.5x18x10	
△.4	CR406S	2306-001017	C-FILM,MPPF;680nF,5%,400V,TP,26x14.5x24m	
△.4	CX801S	2306-000318	C-FILM,MPPF;220nF,20%,250V,TP,-,22.5mm	
△.4	CX802S	2306-000318	C-FILM,MPPF;220nF,20%,250V,TP,-,22.5mm	
△.4	CY801S	2201-000446	C-CERAMIC,DISC;3.3nF,20%,400V,Y5U,TP,15x	
...4	D404 0402-001296	DIODE-RECTIFIER;FMP-3FU,1.5KV,5A,TO-3PF,		
△.4	FP801S	3601-000293	FUSE-CARTRIDGE;250V,5A,SLOW-BLOW,GLASS,5	
...4	IC101 1204-000506	IC-IF DETECTOR;LA7510,SIP,9P,-,PLASTIC,1		
...4	IC202 1103-001200	IC-EEPROM;M24C08-WB6N,1024x8Bit,DIP,8P,3		
...4	IC301	AA96-50406A	ASSY H/S;-AA62-30180K,LA7845,-	
...5	0205-000129	GREASE-SILICON;SC102,JAPAN		
...5	1204-000517	IC-VERTICAL DEF;LA7845,SIP,7P,-,PLASTIC		
...5	6003-000333	SCREW-TAPTITE;RH,+2S,M3,L10,ZPC(YEL),SW		
...5	AA62-30180K	HEAT SINK-ES;-A6063 EXTR,-,WHT,50/13,-		
...4	IC601 1204-001662	IC-SOUND PROCESSOR;MSP3425G-B8,DIP,52P,5		
△.4	IC802	AA96-00245A	ASSY H/S;-AA62-00055A,KA7632,-	
...5	1203-001939	IC-POSI.FIXED REG.;7632,SIP,10P,-,PLASTI		
...5	6003-000334	SCREW-TAPTITE;RH,+2S,M3,L6,ZPC(YEL),SWR		
...5	AA62-00055A	HEAT SINK-PS;-,T1.0,-,-,35°15°25,D1,-,-		
...4	ICE01 1202-000103	IC-VOLTAGE COMP;393,DIP,8P,300MIL,DUAL,		
...4	ICW01 1001-000211	IC-VIDEO SWITCH;NJM2235D,-,DIP,8P,300MIL		
△.4	L409	AA27-00095A	COIL HORIZ. WIDTH;-,600uH,YL9N 15x27.5 C	
△.4	L808	AA27-00098A	COIL CHOKE;-,-,24uH,10%,-,0.1,3.0A,DR10X	
△.4	LR401S	AA27-00099A	COIL LINEARITY;23.5uH,23.5uH,DR14x15C,5,	
△.4	LX801S	AA29-00011A	FILTER LINE NOISE;CZ32W8,-,0.20MAX,1.5KV	
△.4	LY802S	AA29-00012A	FILTER LINE NOISE;CS29A6PFB/HAC,-,0.1MA	
△.4	NT801S	1404-001045	THERMISTOR-NTC;4.7ohm,15%,2900K,35.0mW,T	
△.4	PC801S	0604-001038	PHOTO-COUPLER;TR,130-260%,200mW,DIP-4,ST	
△.4	PC802S	0604-001038	PHOTO-COUPLER;TR,130-260%,200mW,DIP-4,ST	
△.4	PT801S	1404-000002	THERMISTOR-PTC;90hm,20%,-,-,TR,RECT,-	
△.4	RL801S	3501-001053	RELAY-POWER;5Vdc,530mW,10A,1FormA,15mS,5	

Loc. No.	Code No.	Description ; Specification	Remark
△4	SF101S 2904-001107 FILTER-SAW AV;45.75MHz,SIP5K,TP,12.6dB,N	
△4	SF102S 2904-001255 FILTER-SAW AV;45.75MHz,SIP5K,ST,12.2dB,M	
△4	T401 AA26-50001R TRANS-HORIZ.DRIVE;-;-,-,80MH,-;-,-,520UH,-	
△4	TU01S AA40-00088A TUNER;TAEC-H005F(F),NTSC,181CH,45.75MHZ,	
4	AA97-07230S ASSY AUTO-MAIN;TXM2792FX/XAA,K57A	
5	C101 2401-000962 C-AL;22uF,20%,50V,GP,TP,5x11,5	
5	C102 2301-000383 C-FILM,PEF;10nF,5%,50V,TP,6x7x3.2mm,5mm	
5	C103 2401-002594 C-AL;220uF,20%,16V,GP,TP,8x11.5,5	
5	C104 2401-000480 C-AL;10uF,20%,50V,GP,TP,5x11,5	
5	C105 2305-000665 C-FILM,MPEF;100nF,5%,63V,TP,7.5x4.0x5.0m	
5	C110 2202-000127 C-CERAMIC,MLC-AXIAL;10nF,+80-20%,25V,Y5V	
5	C111 2401-001840 C-AL;100uF,20%,16V,GP,TP,6.3x11,5	
5	C112 2401-001333 C-AL;470nF,20%,50V,GP,TP,5x11,5	
5	C113 2401-001333 C-AL;470nF,20%,50V,GP,TP,5x11,5	
5	C114 2202-000286 C-CERAMIC,MLC-AXIAL;56pF,5%,50V,SL,TP,1.	
5	C120 2202-000127 C-CERAMIC,MLC-AXIAL;10nF,+80-20%,25V,Y5V	
5	C202 2401-002075 C-AL;4.7uF,20%,50V,GP,TP,5x11,5	
5	C204 2305-000411 C-FILM,MPEF;470nF,5%,50V,TP,7.3x4.8x5.5m	
5	C205 2202-000796 C-CERAMIC,MLC-AXIAL;1nF,10%,50V,Y5P,TP,3	
5	C206 2305-000665 C-FILM,MPEF;100nF,5%,63V,TP,7.5x4.0x5.0m	
5	C207 2401-000302 C-AL;100uF,20%,25V,GP,TP,6.3x11,5	
5	C208 2201-000573 C-CERAMIC,DISC;0.047nF,5%,50V,NP0,TP,5x3	
5	C209 2305-000665 C-FILM,MPEF;100nF,5%,63V,TP,7.5x4.0x5.0m	
5	C210 2201-000573 C-CERAMIC,DISC;0.047nF,5%,50V,NP0,TP,5x3	
5	C211 2401-000302 C-AL;100uF,20%,25V,GP,TP,6.3x11,5	
5	C212 2401-000962 C-AL;22uF,20%,50V,GP,TP,5x11,5	
5	C213 2305-000289 C-FILM,MPEF;220nF,5%,63V,TP,-,5mm	
5	C214 2305-000289 C-FILM,MPEF;220nF,5%,63V,TP,-,5mm	
5	C215 2305-000289 C-FILM,MPEF;220nF,5%,63V,TP,-,5mm	
5	C216 2305-000289 C-FILM,MPEF;220nF,5%,63V,TP,-,5mm	
5	C217 2305-000289 C-FILM,MPEF;220nF,5%,63V,TP,-,5mm	
5	C218 2305-000411 C-FILM,MPEF;470nF,5%,50V,TP,7.3x4.8x5.5m	
5	C219 2305-000665 C-FILM,MPEF;100nF,5%,63V,TP,7.5x4.0x5.0m	
5	C220 2401-000302 C-AL;100uF,20%,25V,GP,TP,6.3x11,5	
5	C221 2202-000849 C-CERAMIC,MLC-AXIAL;18pF,5%,50V,CH,TP,3.	
5	C222 2305-000665 C-FILM,MPEF;100nF,5%,63V,TP,7.5x4.0x5.0m	
5	C223 2202-000252 C-CERAMIC,MLC-AXIAL;4.7nF,10%,50V,X7R,TP	
5	C224 2401-000660 C-AL;2.2uF,20%,50V,GP,TP,5x11,5	
5	C225 2305-000289 C-FILM,MPEF;220nF,5%,63V,TP,-,5mm	
5	C226 2401-000302 C-AL;100uF,20%,25V,GP,TP,6.3x11,5	
5	C227 2401-000302 C-AL;100uF,20%,25V,GP,TP,6.3x11,5	
5	C229 2401-002619 C-AL;47uF,20%,25V,GP,TP,5x11,5	
5	C231 2305-000289 C-FILM,MPEF;220nF,5%,63V,TP,-,5mm	
5	C232 2305-000665 C-FILM,MPEF;100nF,5%,63V,TP,7.5x4.0x5.0m	
5	C233 2401-000302 C-AL;100uF,20%,25V,GP,TP,6.3x11,5	
5	C234 2401-000660 C-AL;2.2uF,20%,50V,GP,TP,5x11,5	
5	C235 2301-000342 C-FILM,PEF;2.2nF,5%,50V,TP,7.4x3.9x13mm,	
5	C236 2305-000289 C-FILM,MPEF;220nF,5%,63V,TP,-,5mm	
5	C237 2301-000445 C-FILM,PEF;4.7nF,5%,50V,TP,5.5x7x3mm,5mm	
5	C238 2401-000603 C-AL;1uF,20%,50V,GP,TP,5x11,5	
5	C239 2401-000480 C-AL;10uF,20%,50V,GP,TP,5x11,5	
5	C240 2305-000665 C-FILM,MPEF;100nF,5%,63V,TP,7.5x4.0x5.0m	
5	C242 2202-000796 C-CERAMIC,MLC-AXIAL;1nF,10%,50V,Y5P,TP,3	
5	C243 2202-000796 C-CERAMIC,MLC-AXIAL;1nF,10%,50V,Y5P,TP,3	
5	C244 2309-000138 C-FILM,PE-PPF;100nF,5%,50V,TP,20x16x8.5,	
5	C245 2301-000224 C-FILM,PEF;22nF,5%,50V,TP,7.4x3.9x13mm,5	
5	C253 2305-000665 C-FILM,MPEF;100nF,5%,63V,TP,7.5x4.0x5.0m	
5	C301 2301-000254 C-FILM,PEF;39nF,5%,50V,TP,7.5x3.5x6.5mm,	
5	C302 2201-002103 C-CERAMIC,DISC;0.015nF,5%,500V,NP0,TP,6.	
5	C303 2401-000365 C-AL;100uF,20%,50V,WT,TP,10x12.5mm,	
5	C304 2401-000326 C-AL;100uF,20%,35V,GP,TP,8x11.5,5	
5	C305 2305-000285 C-FILM,MPEF;220nF,5%,100V,TP,10.5X5.5X15	
5	C306 2305-000149 C-FILM,MPEF;100nF,5%,100V,TP,12x12.5x6.5	
5	C401 2301-000383 C-FILM,PEF;10nF,5%,50V,TP,6x7x3.2mm,5mm	
5	C402 2401-000302 C-AL;100uF,20%,25V,GP,TP,6.3x11,5	
5	C403 2201-000599 C-CERAMIC,DISC;0.56nF,10%,500V,Y5P,TP,5.	
5	C404 2305-000382 C-FILM,MPEF;4.7nF,5%,400V,TP,-,5mm	
5	C405 2201-000639 C-CERAMIC,DISC;0.68nF,10%,2kV,Y5P,TP,9x5	
5	C407 2401-002268 C-AL;2.2uF,20%,250V,LZ,TP,8X11,5	
5	C408 2201-000556 C-CERAMIC,DISC;0.47nF,10%,500V,Y5P,TP,5.	
5	C409 2401-001397 C-AL;470uF,20%,25V,GP,TP,10x16,5	
5	C410 2401-001397 C-AL;470uF,20%,25V,GP,TP,10x16,5	
5	C411 2201-000556 C-CERAMIC,DISC;0.47nF,10%,500V,Y5P,TP,5.	
5	C412 2401-000927 C-AL;22uF,20%,250V,GP,TP,13x20,5	
5	C413 2201-000556 C-CERAMIC,DISC;0.47nF,10%,500V,Y5P,TP,5.	
5	C414 2301-001065 C-FILM,MPPF;47nF,5%,630V,TP,19x15.5x7.7.	
△5	C415S 2301-001259 C-FILM,MPPF;100nF,5%,400V,TP,19x8x16,7.5	

Loc. No.	Code No.	Description ; Specification	Remark
....5	C601	2201-000304 C-CERAMIC,DISC;0.001nF,0.25pF,50V,NP0,TP	
....5	C602	2201-000304 C-CERAMIC,DISC;0.001nF,0.25pF,50V,NP0,TP	
....5	C603	2202-000286 C-CERAMIC,MLC-AXIAL;56pF,5%,50V,SL,TP,1.	
....5	C604	2401-000302 C-AL;100uF,20%,25V,GP,TP,6.3x11,5	
....5	C605	2202-000796 C-CERAMIC,MLC-AXIAL;1nF,10%,50V,Y5P,TP,3	
....5	C606	2305-000665 C-FILM,MPEF;100nF,5%,63V,TP,7.5x4.0x5.0m	
....5	C607	2401-000493 C-AL;10uF,20%,50V,LZ,TP,5x11mm,5mm	
....5	C608	2401-000027 C-AL;4.7uF,20%,50V,GP,TP,5x11,5	
....5	C609	2401-000027 C-AL;4.7uF,20%,50V,GP,TP,5x11,5	
....5	C610	2401-000027 C-AL;4.7uF,20%,50V,GP,TP,5x11,5	
....5	C611	2401-000027 C-AL;4.7uF,20%,50V,GP,TP,5x11,5	
....5	C612	2401-001840 C-AL;100uF,20%,16V,GP,TP,6.3x11,5	
....5	C613	2301-000108 C-FILM,PEF;1.5nF,5%,50V,TP,6.5x3.0x5.5mm	
....5	C614	2401-000480 C-AL;10uF,20%,50V,GP,TP,5x11,5	
....5	C615	2401-001026 C-AL;3.3uF,20%,50V,GP,TP,5x11,5	
....5	C616	2401-000493 C-AL;10uF,20%,50V,LZ,TP,5x11mm,5mm	
....5	C617	2401-000493 C-AL;10uF,20%,50V,LZ,TP,5x11mm,5mm	
....5	C618	2305-000665 C-FILM,MPEF;100nF,5%,63V,TP,7.5x4.0x5.0m	
....5	C619	2401-000302 C-AL;100uF,20%,25V,GP,TP,6.3x11,5	
....5	C620	2401-001026 C-AL;3.3uF,20%,50V,GP,TP,5x11,5	
....5	C621	2301-000383 C-FILM,PEF;10nF,5%,50V,TP,6x7x3.2mm,5mm	
....5	C622	2301-000108 C-FILM,PEF;1.5nF,5%,50V,TP,6.5x3.0x5.5mm	
....5	C623	2301-000192 C-FILM,PEF;1nF,5%,50V,TP,5.3x10mm,5mm	
....5	C624	2301-000192 C-FILM,PEF;1nF,5%,50V,TP,5.3x10mm,5mm	
....5	C625	2301-000232 C-FILM,PEF;3.3nF,5%,50V,TP,8.1x4.5x13mm,	
....5	C626	2301-000232 C-FILM,PEF;3.3nF,5%,50V,TP,8.1x4.5x13mm,	
....5	C627	2401-000493 C-AL;10uF,20%,50V,LZ,TP,5x11mm,5mm	
....5	C629	2202-000286 C-CERAMIC,MLC-AXIAL;56pF,5%,50V,SL,TP,1.	
....5	C630	2301-000111 C-FILM,PEF;1.8nF,5%,50V,TP,6.5x3.0x5.5mm	
....5	C631	2401-003139 C-AL;1000uF,20%,25V,WT,TP,10*20,5mm	
....5	C632	2305-000665 C-FILM,MPEF;100nF,5%,63V,TP,7.5x4.0x5.0m	
....5	C633	2401-001914 C-AL;1uF,20%,50V,BP,TP,5x11,5	
....5	C634	2301-000111 C-FILM,PEF;1.8nF,5%,50V,TP,6.5x3.0x5.5mm	
....5	C635	2401-001914 C-AL;1uF,20%,50V,BP,TP,5x11,5	
....5	C709	2202-000806 C-CERAMIC,MLC-AXIAL;220pF,10%,50V,Y5P,TP	
....5	C710	2401-000027 C-AL;4.7uF,20%,50V,GP,TP,5x11,5	
....5	C801	2201-000332 C-CERAMIC,DISC;2.2nF,20%,250V,Y5U,TP,9x4	
....5	C802	2201-000332 C-CERAMIC,DISC;2.2nF,20%,250V,Y5U,TP,9x4	
....5	C804	2401-001192 C-AL;33uF,20%,50V,GP,TP,6.3x11,5	
....5	C805	2301-000224 C-FILM,PEF;22nF,5%,50V,TP,7.4x3.9x13mm,5	
....5	C806	2301-000204 C-FILM,PEF;2.7nF,5%,50V,TP,7.4x3.9x13mm,	
....5	C807	2305-000665 C-FILM,MPEF;100nF,5%,63V,TP,7.5x4.0x5.0m	
....5	C808	2301-001435 C-FILM,PPF;1.5nF,5%,1.2kV,TP,15x8x12.5mm	
....5	C809	2401-000493 C-AL;10uF,20%,50V,LZ,TP,5x11mm,5mm	
....5	C810	2401-002619 C-AL;47uF,20%,25V,GP,TP,5x11,5	
....5	C811	2401-000302 C-AL;100uF,20%,25V,GP,TP,6.3x11,5	
....5	C812	2305-000665 C-FILM,MPEF;100nF,5%,63V,TP,7.5x4.0x5.0m	
....5	C813	2401-002594 C-AL;220uF,20%,16V,GP,TP,8x11.5,5	
....5	C814	2401-003028 C-AL;100uF,20%,25V,WT,TP,6.3x11,5	
....5	C815	2401-003028 C-AL;100uF,20%,25V,WT,TP,6.3x11,5	
....5	C816	2201-000599 C-CERAMIC,DISC;0.56nF,10%,500V,Y5P,TP,5.	
....5	C817	2401-002215 C-AL;2200uF,20%,25V,WT,TP,13x25,5	
....5	C818	2201-000556 C-CERAMIC,DISC;0.47nF,10%,500V,Y5P,TP,5.	
....5	C819	2401-003139 C-AL;1000uF,20%,25V,WT,TP,10*20,5mm	
....5	C820	2201-000991 C-CERAMIC,DISC;0.56nF,10%,2kV,Y5P,TP,7.5	
....5	C822	2401-000262 C-AL;100uF,20%,160V,HR,TP,16x25,7.5	
....5	C823	2201-000370 C-CERAMIC,DISC;0.22nF,10%,50V,Y5P,TP,4x3	
....5	C824	2301-000224 C-FILM,PEF;22nF,5%,50V,TP,7.4x3.9x13mm,5	
....5	C825	2401-002300 C-AL;47uF,20%,50V,GP,TP,6.3x11,5	
....5	C827	2401-000133 C-AL;1000uF,20%,16V,GP,TP,10x20,5	
....5	CE01	2401-002597 C-AL;220uF,20%,35V,GP,TP,10x12,5,5	
....5	CE02	2301-000224 C-FILM,PEF;22nF,5%,50V,TP,7.4x3.9x13mm,5	
....5	CE03	2301-000342 C-FILM,PEF;2.2nF,5%,50V,TP,7.4x3.9x13mm,	
....5	CE04	2301-000232 C-FILM,PEF;3.3nF,5%,50V,TP,8.1x4.5x13mm,	
....5	CN501	3711-002648 CONNECTOR-HEADER;BOX,9P,1R,2.5mm,STRAIGH	
....5	CN502	3711-002645 CONNECTOR-HEADER;BOX,6P,1R,2.5mm,STRAIGH	
....5	CN603	3711-002644 CONNECTOR-HEADER;BOX,5P,1R,2.5mm,STRAIGH	
....5	CN701	3711-002647 CONNECTOR-HEADER;BOX,8P,1R,2.5mm,STRAIGH	
....5	CN702	3711-002646 CONNECTOR-HEADER;BOX,7P,1R,2.5mm,STRAIGH	
....5	CN901	3711-002642 CONNECTOR-HEADER;BOX,3P,1R,2.5mm,STRAIGH	
....5	CP01	2301-000356 C-FILM,PEF;47nF,5%,50V,TP,7.5x4.0x6.5,5m	
....5	CP02	2401-000480 C-AL;10uF,20%,50V,GP,TP,5x11,5	
....5	CP03	2401-001192 C-AL;33uF,20%,50V,GP,TP,6.3x11,5	
△5	CR01S 2201-000556 C-CERAMIC,DISC;0.47nF,10%,500V,Y5P,TP,5.	
△5	CR02S 2401-000480 C-AL;10uF,20%,50V,GP,TP,5x11,5	
△5	CR03S 2401-000480 C-AL;10uF,20%,50V,GP,TP,5x11,5	
△5	CR405S 2201-000132 C-CERAMIC,DISC;0.1nF,10%,500V,Y5P,TP,6.5	

Electrical Parts List

Loc. No.	Code No.	Description ; Specification	Remark	Loc. No.	Code No.	Description ; Specification	Remark
△	5 CR407S	2301-001258	C-FILM,PPF;39nF,5%,400V,TP,19.5x9x15,7.5	5 EL402	6042-000001	EYELET;ID2.2,OD2.7,L3.1,SN,BSS3-E/EH	
5	CW01	2401-000603	C-AL;1uF,20%,50V,GP,TP;5x11,5	5 EL403	6042-000001	EYELET;ID2.2,OD2.7,L3.1,SN,BSS3-E/EH	
5	CW02	2401-000603	C-AL;1uF,20%,50V,GP,TP;5x11,5	5 EL404	6042-000001	EYELET;ID2.2,OD2.7,L3.1,SN,BSS3-E/EH	
5	CW03	2401-000603	C-AL;1uF,20%,50V,GP,TP;5x11,5	5 EL501	6042-000001	EYELET;ID2.2,OD2.7,L3.1,SN,BSS3-E/EH	
5	CW04	2201-000982	C-CERAMIC,DISC;10nF,+80-20%,50V,Y5V,TP,4	5 EL502	6042-000001	EYELET;ID2.2,OD2.7,L3.1,SN,BSS3-E/EH	
5	CW05	2401-001840	C-AL;100uF,20%,16V,GP,TP;6.3x11,5	5 EL805	6042-000001	EYELET;ID2.2,OD2.7,L3.1,SN,BSS3-E/EH	
5	D201	0404-000156	DIODE-SCHOTTKY;RB441Q,10V,100mA,DO-34,TP	5 EL806	6042-000001	EYELET;ID2.2,OD2.7,L3.1,SN,BSS3-E/EH	
5	D206	0401-000005	DIODE-SWITCHING;1N4148,100V,200mA,DO-35,	5 EL807	6042-000001	EYELET;ID2.2,OD2.7,L3.1,SN,BSS3-E/EH	
5	D303	0402-000546	DIODE-RECTIFIER;TVR10G,400V,1.0A,DO-41,T	5 EL808	6042-000001	EYELET;ID2.2,OD2.7,L3.1,SN,BSS3-E/EH	
5	D401	0402-000540	DIODE-RECTIFIER;RU20A,600V,1.5A,-,TP	5 EY301	AA60-40011A	K EYELET;ID2.0,OD2.8,BST	
5	D402	0402-000132	DIODE-RECTIFIER;1N4004,400V,1A,DO-41,TP	5 EY302	AA60-40011A	K EYELET;ID2.0,OD2.8,BST	
5	D403	0402-000132	DIODE-RECTIFIER;1N4004,400V,1A,DO-41,TP	5 EY303	AA60-40011A	K EYELET;ID2.0,OD2.8,BST	
5	D405	0402-000534	DIODE-RECTIFIER;RG10V,400V,1.2A,DO-201,T	5 EY304	AA60-40011A	K EYELET;ID2.0,OD2.8,BST	
5	D406	0402-000540	DIODE-RECTIFIER;RU20A,600V,1.5A,-,TP	5 EY401	AA60-40011A	K EYELET;ID2.0,OD2.8,BST	
5	D407	0402-000546	DIODE-RECTIFIER;TVR10G,400V,1.0A,DO-41,T	5 EY402	AA60-40011A	K EYELET;ID2.0,OD2.8,BST	
5	D408	0401-000005	DIODE-SWITCHING;1N4148,100V,200mA,DO-35,	5 EY403	AA60-40011A	K EYELET;ID2.0,OD2.8,BST	
△	5 D803	0401-000006	DIODE-SWITCHING;BAV21,250V,250mA,DO-35,T	5 EY404	AA60-40011A	K EYELET;ID2.0,OD2.8,BST	
△	5 D804	0401-000005	DIODE-SWITCHING;1N4148,100V,200mA,DO-35,	5 EY407	AA60-40011A	K EYELET;ID2.0,OD2.8,BST	
△	5 D807	0402-000493	DIODE-RECTIFIER;1R5GU41,400V,1.5A,DO-15L	5 EY408	AA60-40011A	K EYELET;ID2.0,OD2.8,BST	
△	5 D810	0402-000254	DIODE-RECTIFIER;RGP10J,600V,1A,DO-41,TP	5 EY409	AA60-40011A	K EYELET;ID2.0,OD2.8,BST	
△	5 D811	0401-000005	DIODE-SWITCHING;1N4148,100V,200mA,DO-35,	5 EY410	AA60-40011A	K EYELET;ID2.0,OD2.8,BST	
△	5 D813	0404-001056	DIODE-SCHOTTKY;RK16,60V,1.5A,DO-204AC,TP	5 EY411	AA60-40011A	K EYELET;ID2.0,OD2.8,BST	
5	D951	0402-000132	DIODE-RECTIFIER;1N4004,400V,1A,DO-41,TP	5 EY412	AA60-40011A	K EYELET;ID2.0,OD2.8,BST	
5	DE01	0401-000005	DIODE-SWITCHING;1N4148,100V,200mA,DO-35,	5 EY413	AA60-40011A	K EYELET;ID2.0,OD2.8,BST	
5	DE02	0402-000546	DIODE-RECTIFIER;TVR10G,400V,1.0A,DO-41,T	5 EY414	AA60-40011A	K EYELET;ID2.0,OD2.8,BST	
5	DE03	0403-001325	DIODE-ZENER;MTZJ15C,14.35-15.09V,500mW,D	5 EY415	AA60-40011A	K EYELET;ID2.0,OD2.8,BST	
5	DE04	0402-000540	DIODE-RECTIFIER;RU20A,600V,1.5A,-,TP	5 EY416	AA60-40011A	K EYELET;ID2.0,OD2.8,BST	
5	DP01	0401-000006	DIODE-SWITCHING;BAV21,250V,250mA,DO-35,T	5 EY419	AA60-40011A	K EYELET;ID2.0,OD2.8,BST	
5	DP02	0401-000006	DIODE-SWITCHING;BAV21,250V,250mA,DO-35,T	5 EY420	AA60-40011A	K EYELET;ID2.0,OD2.8,BST	
△	5 DR01S	0402-000546	DIODE-RECTIFIER;TVR10G,400V,1.0A,DO-41,T	5 EY421	AA60-40011A	K EYELET;ID2.0,OD2.8,BST	
△	5 DR02S	0403-001321	DIODE-ZENER;MTZJ6.8C,6.66-7.01V,500mW,DO	5 EY423	AA60-40011A	K EYELET;ID2.0,OD2.8,BST	
△	5 DR03S	0401-000005	DIODE-SWITCHING;1N4148,100V,200mA,DO-35,	5 EY424	AA60-40011A	K EYELET;ID2.0,OD2.8,BST	
5	DZ101	0403-000508	DIODE-ZENER;MTZJ5.6B,5.6V,5.45-5.73V,500	5 EY425	AA60-40011A	K EYELET;ID2.0,OD2.8,BST	
5	DZ202	0403-000720	DIODE-ZENER;MTZJ9.1B,9.1V,8.57-9.01V,500	5 EY426	AA60-40011A	K EYELET;ID2.0,OD2.8,BST	
5	DZ204	0403-000508	DIODE-ZENER;MTZJ5.6B,5.6V,5.45-5.73V,500	5 EY427	AA60-40011A	K EYELET;ID2.0,OD2.8,BST	
5	DZ205	0403-000720	DIODE-ZENER;MTZJ9.1B,9.1V,8.57-9.01V,500	5 EY428	AA60-40011A	K EYELET;ID2.0,OD2.8,BST	
5	DZ206	0403-000720	DIODE-ZENER;MTZJ9.1B,9.1V,8.57-9.01V,500	5 EY429	AA60-40011A	K EYELET;ID2.0,OD2.8,BST	
5	DZ207	0403-000720	DIODE-ZENER;MTZJ9.1B,9.1V,8.57-9.01V,500	5 EY430	AA60-40011A	K EYELET;ID2.0,OD2.8,BST	
5	DZ208	0403-000720	DIODE-ZENER;MTZJ9.1B,9.1V,8.57-9.01V,500	5 EY431	AA60-40011A	K EYELET;ID2.0,OD2.8,BST	
5	DZ209	0403-000720	DIODE-ZENER;MTZJ9.1B,9.1V,8.57-9.01V,500	5 EY432	AA60-40011A	K EYELET;ID2.0,OD2.8,BST	
5	DZ210	0403-000720	DIODE-ZENER;MTZJ9.1B,9.1V,8.57-9.01V,500	5 EY433	AA60-40011A	K EYELET;ID2.0,OD2.8,BST	
5	DZ211	0403-000720	DIODE-ZENER;MTZJ9.1B,9.1V,8.57-9.01V,500	5 EY434	AA60-40011A	K EYELET;ID2.0,OD2.8,BST	
5	DZ212	0403-000720	DIODE-ZENER;MTZJ9.1B,9.1V,8.57-9.01V,500	5 EY435	AA60-40011A	K EYELET;ID2.0,OD2.8,BST	
5	DZ213	0403-000508	DIODE-ZENER;MTZJ5.6B,5.6V,5.45-5.73V,500	5 EY436	AA60-40011A	K EYELET;ID2.0,OD2.8,BST	
5	DZ214	0403-000508	DIODE-ZENER;MTZJ5.6B,5.6V,5.45-5.73V,500	5 EY437	AA60-40011A	K EYELET;ID2.0,OD2.8,BST	
5	DZ215	0403-000508	DIODE-ZENER;MTZJ5.6B,5.6V,5.45-5.73V,500	5 EY438	AA60-40011A	K EYELET;ID2.0,OD2.8,BST	
5	DZ216	0403-000720	DIODE-ZENER;MTZJ9.1B,9.1V,8.57-9.01V,500	5 EY439	AA60-40011A	K EYELET;ID2.0,OD2.8,BST	
5	DZ217	0403-000720	DIODE-ZENER;MTZJ9.1B,9.1V,8.57-9.01V,500	5 EY440	AA60-40011A	K EYELET;ID2.0,OD2.8,BST	
5	DZ218	0403-000720	DIODE-ZENER;MTZJ9.1B,9.1V,8.57-9.01V,500	5 EY441	AA60-40011A	K EYELET;ID2.0,OD2.8,BST	
5	DZ219	0403-000720	DIODE-ZENER;MTZJ9.1B,9.1V,8.57-9.01V,500	5 EY502	AA60-40011A	K EYELET;ID2.0,OD2.8,BST	
5	DZ220	0403-000720	DIODE-ZENER;MTZJ9.1B,9.1V,8.57-9.01V,500	5 EY601	AA60-40011A	K EYELET;ID2.0,OD2.8,BST	
5	DZ221	0403-000720	DIODE-ZENER;MTZJ9.1B,9.1V,8.57-9.01V,500	5 EY602	AA60-40011A	K EYELET;ID2.0,OD2.8,BST	
5	DZ222	0403-000720	DIODE-ZENER;MTZJ9.1B,9.1V,8.57-9.01V,500	5 EY603	AA60-40011A	K EYELET;ID2.0,OD2.8,BST	
5	DZ223	0403-000720	DIODE-ZENER;MTZJ9.1B,9.1V,8.57-9.01V,500	5 EY604	AA60-40011A	K EYELET;ID2.0,OD2.8,BST	
5	DZ224	0403-000720	DIODE-ZENER;MTZJ9.1B,9.1V,8.57-9.01V,500	5 EY701	AA60-40011A	K EYELET;ID2.0,OD2.8,BST	
5	DZ301	0403-001328	DIODE-ZENER;MTZJ22A,20.15-21.20V,500mW,D	5 EY702	AA60-40011A	K EYELET;ID2.0,OD2.8,BST	
5	DZ302	0403-001329	DIODE-ZENER;MTZJ24B,22.61-23.77V,500mW,D	5 EY703	AA60-40011A	K EYELET;ID2.0,OD2.8,BST	
5	DZ303	0403-001221	DIODE-ZENER;UZ39BSB,35.36-37.19V,500mW,D	5 EY704	AA60-40011A	K EYELET;ID2.0,OD2.8,BST	
5	DZ305	0403-001328	DIODE-ZENER;MTZJ22A,20.15-21.20V,500mW,D	5 EY801	AA60-40011A	K EYELET;ID2.0,OD2.8,BST	
5	DZ306	0403-000700	DIODE-ZENER;TZP33A,33V,31-35V,1W,DO-41,T	5 EY802	AA60-40011A	K EYELET;ID2.0,OD2.8,BST	
5	DZ402	0403-000508	DIODE-ZENER;MTZJ5.6B,5.6V,5.45-5.73V,500	5 EY803	AA60-40011A	K EYELET;ID2.0,OD2.8,BST	
5	DZ403	0401-000005	DIODE-SWITCHING;1N4148,100V,200mA,DO-35,	5 EY804	AA60-40011A	K EYELET;ID2.0,OD2.8,BST	
5	DZ601	0403-000508	DIODE-ZENER;MTZJ5.6B,5.6V,5.45-5.73V,500	5 EY805	AA60-40011A	K EYELET;ID2.0,OD2.8,BST	
5	DZ602	0403-000508	DIODE-ZENER;MTZJ5.6B,5.6V,5.45-5.73V,500	5 EY806	AA60-40011A	K EYELET;ID2.0,OD2.8,BST	
5	DZ801	0403-001211	DIODE-ZENER;MTZJ12B,11.44-12.03V,500mW,D	5 EY807	AA60-40011A	K EYELET;ID2.0,OD2.8,BST	
5	DZ802	0403-000699	DIODE-ZENER;TZP27B,27V,27-30.8V,1W,DO-41	5 EY808	AA60-40011A	K EYELET;ID2.0,OD2.8,BST	
5	DZ803	0403-000716	DIODE-ZENER;MTZJ4.7B,4.7V,4.55-4.8V,500m	5 EY809	AA60-40011A	K EYELET;ID2.0,OD2.8,BST	
5	DZ804	0403-001327	DIODE-ZENER;MTZJ18A,16.22-17.06V,500mW,D	5 EY810	AA60-40011A	K EYELET;ID2.0,OD2.8,BST	
5	DZ805	0403-000508	DIODE-ZENER;MTZJ5.6B,5.6V,5.45-5.73V,500	5 EY811	AA60-40011A	K EYELET;ID2.0,OD2.8,BST	
5	DZ806	0403-000508	DIODE-ZENER;MTZJ5.6B,5.6V,5.45-5.73V,500	5 EY812	AA60-40011A	K EYELET;ID2.0,OD2.8,BST	
5	DZ808	0403-000720	DIODE-ZENER;MTZJ9.1B,9.1V,8.57-9.01V,500	5 EY813	AA60-40011A	K EYELET;ID2.0,OD2.8,BST	
5	DZ809	0403-000508	DIODE-ZENER;MTZJ5.6B,5.6V,5.45-5.73V,500	5 EY814	AA60-40011A	K EYELET;ID2.0,OD2.8,BST	
5	DZ810	0403-001373	DIODE-ZENER;MTZJ5.1A,4.81V-5.07V,500mW,D	5 EY815	AA60-40011A	K EYELET;ID2.0,OD2.8,BST	
5	DZ811	0403-000700	DIODE-ZENER;TZP33A,33V,31-35V,1W,DO-41,T	5 EY816	AA60-40011A	K EYELET;ID2.0,OD2.8,BST	
5	DZ812	0403-000508	DIODE-ZENER;MTZJ5.6B,5.6V,5.45-5.73V,500	5 EY818	AA60-40011A	K EYELET;ID2.0,OD2.8,BST	
5	DZP03	0403-001328	DIODE-ZENER;MTZJ22A,20.15-21.20V,500mW,D	5 EY819	AA60-40011A	K EYELET;ID2.0,OD2.8,BST	
5	EL401	6042-000001	EYELET;ID2.2,OD2.7,L3.1,SN,BSS3-E/EH	5 EY820	AA60-40011A	K EYELET;ID2.0,OD2.8,BST	

Loc. No.	Code No.	Description ; Specification	Remark	Loc. No.	Code No.	Description ; Specification	Remark
.....	EY821	AA60-40011A	K EYELET;ID2.0,OD2.8,BST	L407	2901-000297	FILTER-EMI ON BOARD;-3A,-,3.5x5,TP-
.....	EY822	AA60-40011A	K EYELET;ID2.0,OD2.8,BST	L601	2701-000169	INDUCTOR-AXIAL;3.9uH,10%,2.5x3.4mm
.....	EY823	AA60-40011A	K EYELET;ID2.0,OD2.8,BST	L602	2701-000169	INDUCTOR-AXIAL;3.9uH,10%,2.5x3.4mm
.....	EY824	AA60-40011A	K EYELET;ID2.0,OD2.8,BST	L603	2701-000114	INDUCTOR-AXIAL;10uH,10%,2.5x3.4mm
.....	EY825	AA60-40011A	K EYELET;ID2.0,OD2.8,BST	L604	2701-000142	INDUCTOR-AXIAL;1uH,10%,2.5x3.4mm
.....	EY826	AA60-40011A	K EYELET;ID2.0,OD2.8,BST	L605	2701-000142	INDUCTOR-AXIAL;1uH,10%,2.5x3.4mm
.....	EY827	AA60-40011A	K EYELET;ID2.0,OD2.8,BST	L707	2701-000127	INDUCTOR-AXIAL;15uH,10%,2.5x3.4mm
.....	EY828	AA60-40011A	K EYELET;ID2.0,OD2.8,BST	L801	3301-000287	CORE-FERRITE BEAD;AA,3.5x1.0x6.0mm,1500,
.....	EY829	AA60-40011A	K EYELET;ID2.0,OD2.8,BST	L802	3301-000287	CORE-FERRITE BEAD;AA,3.5x1.0x6.0mm,1500,
.....	EY830	AA60-40011A	K EYELET;ID2.0,OD2.8,BST	L803	2701-000159	INDUCTOR-AXIAL;22uH,10%,4.2x9.8mm
.....	EY831	AA60-40011A	K EYELET;ID2.0,OD2.8,BST	L804	3301-000287	CORE-FERRITE BEAD;AA,3.5x1.0x6.0mm,1500,
.....	EY832	AA60-40011A	K EYELET;ID2.0,OD2.8,BST	L805	2901-000297	FILTER-EMI ON BOARD;-3A,-,3.5x5,TP-
.....	EY833	AA60-40011A	K EYELET;ID2.0,OD2.8,BST	L806	3301-000287	CORE-FERRITE BEAD;AA,3.5x1.0x6.0mm,1500,
.....	EY834	AA60-40011A	K EYELET;ID2.0,OD2.8,BST	L809	3301-001223	CORE-FERRITE BEAD;AA,62ohm,3.5x0.8x5mm,-
.....	EY835	AA60-40011A	K EYELET;ID2.0,OD2.8,BST	L810	2901-000297	FILTER-EMI ON BOARD;-3A,-,3.5x5,TP-
.....	EY836	AA60-40011A	K EYELET;ID2.0,OD2.8,BST	LE01	2701-000114	INDUCTOR-AXIAL;10uH,10%,2.5x3.4mm
.....	EY838	AA60-40011A	K EYELET;ID2.0,OD2.8,BST	LE02	2901-000297	FILTER-EMI ON BOARD;-3A,-,3.5x5,TP-
.....	EY839	AA60-40011A	K EYELET;ID2.0,OD2.8,BST	PCB	AA41-00656A	PCB-MAIN;QUEST,FR-1,1L A,1.6T,330X245,K5
.....	EY840	AA60-40011A	K EYELET;ID2.0,OD2.8,BST	Q203	0501-000389	TR-SMALL SIGNAL;KSC815,NPN,400mW,TO-92,T
.....	EY841	AA60-40011A	K EYELET;ID2.0,OD2.8,BST	Q204	0501-000389	TR-SMALL SIGNAL;KSC815,NPN,400mW,TO-92,T
.....	EY842	AA60-40011A	K EYELET;ID2.0,OD2.8,BST	Q205	0501-000283	TR-SMALL SIGNAL;KSA539,PNP,400mW,TO-92,T
.....	EY843	AA60-40011A	K EYELET;ID2.0,OD2.8,BST	Q206	0501-000283	TR-SMALL SIGNAL;KSA539,PNP,400mW,TO-92,T
.....	EY844	AA60-40011A	K EYELET;ID2.0,OD2.8,BST	Q207	0501-000389	TR-SMALL SIGNAL;KSC815,NPN,400mW,TO-92,T
.....	EY845	AA60-40011A	K EYELET;ID2.0,OD2.8,BST	Q208	0501-000389	TR-SMALL SIGNAL;KSC815,NPN,400mW,TO-92,T
.....	EY848	AA60-40011A	K EYELET;ID2.0,OD2.8,BST	Q211	0501-000283	TR-SMALL SIGNAL;KSA539,PNP,400mW,TO-92,T
.....	EY850	AA60-40011A	K EYELET;ID2.0,OD2.8,BST	Q402	0502-001007	TR-POWER;KSC2073-H2,NPN,25W,TO-220,ST,6
.....	EY851	AA60-40011A	K EYELET;ID2.0,OD2.8,BST	Q701	0501-000389	TR-SMALL SIGNAL;KSC815,NPN,400mW,TO-92,T
.....	EY853	AA60-40011A	K EYELET;ID2.0,OD2.8,BST	Q702	0501-000283	TR-SMALL SIGNAL;KSA539,PNP,400mW,TO-92,T
.....	EY854	AA60-40011A	K EYELET;ID2.0,OD2.8,BST	Q801	0502-000242	TR-POWER;KSA614,PNP,25W,TO-220,TP,40-24
.....	EY855	AA60-40011A	K EYELET;ID2.0,OD2.8,BST	Q802	0501-000389	TR-SMALL SIGNAL;KSC815,NPN,400mW,TO-92,T
.....	EY856	AA60-40011A	K EYELET;ID2.0,OD2.8,BST	Q951	0501-000369	TR-SMALL SIGNAL;KSC2331-Y,NPN,1000mW,TO-
.....	EY857	AA60-40011A	K EYELET;ID2.0,OD2.8,BST	QE01	0505-000156	FET-SILICON;IRF620,N,200V,5A,0.8ohm,50W,
.....	EY858	AA60-40011A	K EYELET;ID2.0,OD2.8,BST	QP01	0501-000389	TR-SMALL SIGNAL;KSC815,NPN,400mW,TO-92,T
.....	EY859	AA60-40011A	K EYELET;ID2.0,OD2.8,BST	△	QR01S	0501-000283	TR-SMALL SIGNAL;KSA539,PNP,400mW,TO-92,T
.....	EY860	AA60-40011A	K EYELET;ID2.0,OD2.8,BST	R101	2001-000554	R-CARBON;270OHM,5%,1/8W,AA,TP,1.8X3.2MM
.....	EY862	AA60-40011A	K EYELET;ID2.0,OD2.8,BST	R102	2001-000554	R-CARBON;270OHM,5%,1/8W,AA,TP,1.8X3.2MM
.....	EY863	AA60-40011A	K EYELET;ID2.0,OD2.8,BST	R103	2001-000281	R-CARBON;100OHM,5%,1/8W,AA,TP,1.8X3.2MM
.....	EY864	AA60-40011A	K EYELET;ID2.0,OD2.8,BST	R104	2001-000786	R-CARBON;47KOHM,5%,1/8W,AA,TP,1.8X3.2MM
.....	EY865	AA60-40011A	K EYELET;ID2.0,OD2.8,BST	R105	2001-000947	R-CARBON;7.5KOHM,5%,1/8W,AA,TP,1.8X3.2MM
.....	EY866	AA60-40011A	K EYELET;ID2.0,OD2.8,BST	R136	2001-000924	R-CARBON;680OHM,5%,1/8W,AA,TP,1.8X3.2MM
.....	F801A	3602-000114	FUSE-HOLDER;- ,30mohm	R202	2001-000281	R-CARBON;100OHM,5%,1/8W,AA,TP,1.8X3.2MM
.....	F801B	3602-000114	FUSE-HOLDER;- ,30mohm	R203	2001-000734	R-CARBON;4.7KOHM,5%,1/8W,AA,TP,1.8X3.2MM
△	FD801S	3601-001228	FUSE-AXIAL LEAD;125V,10A,FAST-ACTING,EPO	R204	2001-000734	R-CARBON;4.7KOHM,5%,1/8W,AA,TP,1.8X3.2MM
△	FD802S	3601-001163	FUSE-AXIAL LEAD;125V,7A,-,EPOXY,2.4X7.1M	R205	2001-000734	R-CARBON;4.7KOHM,5%,1/8W,AA,TP,1.8X3.2MM
△	FD803S	3601-000120	FUSE-AXIAL LEAD;125V,2.5A,FAST-ACTING,GL	R206	2001-000290	R-CARBON;10KOHM,5%,1/8W,AA,TP,1.8X3.2MM
.....	GT102	AA60-40014A	PIN-GT,ASSY;AUTO	R207	2001-000429	R-CARBON;1KOHM,5%,1/8W,AA,TP,1.8X3.2MM
.....	GT404	AA60-40014A	PIN-GT,ASSY;AUTO	R208	2001-000734	R-CARBON;4.7KOHM,5%,1/8W,AA,TP,1.8X3.2MM
.....	GT801	AA60-40014A	PIN-GT,ASSY;AUTO	R209	2001-000734	R-CARBON;4.7KOHM,5%,1/8W,AA,TP,1.8X3.2MM
.....	GT802	AA60-40014A	PIN-GT,ASSY;AUTO	R210	2001-000281	R-CARBON;100OHM,5%,1/8W,AA,TP,1.8X3.2MM
.....	GT803	AA60-40014A	PIN-GT,ASSY;AUTO	R211	2001-000281	R-CARBON;100OHM,5%,1/8W,AA,TP,1.8X3.2MM
.....	GT804	AA60-40014A	PIN-GT,ASSY;AUTO	R212	2001-000281	R-CARBON;100OHM,5%,1/8W,AA,TP,1.8X3.2MM
.....	GT805	AA60-40014A	PIN-GT,ASSY;AUTO	R213	2001-000290	R-CARBON;10KOHM,5%,1/8W,AA,TP,1.8X3.2MM
.....	GT806	AA60-40014A	PIN-GT,ASSY;AUTO	R214	2001-000281	R-CARBON;100OHM,5%,1/8W,AA,TP,1.8X3.2MM
.....	IC603	1203-000515	IC-VOL. DETECTOR;7042,TO-92,3P,177MIL,PL	R215	2001-000281	R-CARBON;100OHM,5%,1/8W,AA,TP,1.8X3.2MM
△	IC803	1203-001217	IC-POSJ.ADJUST REG.;431,TO-92,3P,4.58MIL	R216	2001-000645	R-CARBON;330KOHM,5%,1/8W,AA,TP,1.8X3.2MM
.....	J213	2001-000429	R-CARBON;1KOHM,5%,1/8W,AA,TP,1.8X3.2MM	R217	2001-000857	R-CARBON;560OHM,5%,1/8W,AA,TP,1.8X3.2MM
.....	J235	3301-000287	CORE-FERRITE BEAD;AA,3.5x1.0x6.0mm,1500,	R219	2001-000281	R-CARBON;100OHM,5%,1/8W,AA,TP,1.8X3.2MM
.....	J708	2001-000258	R-CARBON;1.8KOHM,5%,1/8W,AA,TP,1.8X3.2MM	R220	2001-000281	R-CARBON;100OHM,5%,1/8W,AA,TP,1.8X3.2MM
.....	L101	2701-000114	INDUCTOR-AXIAL;10uH,10%,2.5x3.4mm	R221	2001-000739	R-CARBON;4.7MOHM,5%,1/8W,AA,TP,1.8X3.2MM
.....	L102	2701-000114	INDUCTOR-AXIAL;10uH,10%,2.5x3.4mm	R222	2001-000739	R-CARBON;4.7MOHM,5%,1/8W,AA,TP,1.8X3.2MM
.....	L201	2701-000184	INDUCTOR-AXIAL;4.7uH,10%,2.5x3.4mm	R223	2001-000734	R-CARBON;4.7KOHM,5%,1/8W,AA,TP,1.8X3.2MM
.....	L202	2701-000177	INDUCTOR-AXIAL;33uH,10%,2.5x3.4mm	R228	2001-000563	R-CARBON;27KOHM,5%,1/8W,AA,TP,1.8X3.2MM
.....	L203	2701-000177	INDUCTOR-AXIAL;33uH,10%,2.5x3.4mm	R229	2001-000563	R-CARBON;27KOHM,5%,1/8W,AA,TP,1.8X3.2MM
.....	L204	2702-000142	INDUCTOR-RADIAL;22uH,5%,6x6.4mm	R230	2001-000734	R-CARBON;4.7KOHM,5%,1/8W,AA,TP,1.8X3.2MM
.....	L205	2701-000114	INDUCTOR-AXIAL;10uH,10%,2.5x3.4mm	R231	2001-000005	R-CARBON;390ohm,5%,1/8W,AA,TP,1.8x3.2mm
.....	L206	2701-000114	INDUCTOR-AXIAL;10uH,10%,2.5x3.4mm	R236	2001-000734	R-CARBON;4.7KOHM,5%,1/8W,AA,TP,1.8X3.2MM
.....	L209	2701-000159	INDUCTOR-AXIAL;22uH,10%,4.2x9.8mm	R245	2001-000591	R-CARBON;3.3KOHM,5%,1/8W,AA,TP,1.8X3.2MM
.....	L210	2701-000142	INDUCTOR-AXIAL;1uH,10%,2.5x3.4mm	R246	2001-000793	R-CARBON;470HM,5%,1/8W,AA,TP,1.8X3.2MM
.....	L211	2701-000142	INDUCTOR-AXIAL;1uH,10%,2.5x3.4mm	R247	2001-000969	R-CARBON;750HM,5%,1/8W,AA,TP,1.8X3.2MM
.....	L212	2701-000158	INDUCTOR-AXIAL;22uH,10%,2.5x3.4mm	R248	2001-000343	R-CARBON;130OHM,5%,1/8W,AA,TP,1.8X3.2MM
.....	L230	2701-000177	INDUCTOR-AXIAL;33uH,10%,2.5x3.4mm	R250	2001-000554	R-CARBON;270OHM,5%,1/8W,AA,TP,1.8X3.2MM
.....	L301	3301-000287	CORE-FERRITE BEAD;AA,3.5x1.0x6.0mm,1500,	R251	2001-000490	R-CARBON;200OHM,5%,1/8W,AA,TP,1.8X3.2MM
.....	L302	3301-000287	CORE-FERRITE BEAD;AA,3.5x1.0x6.0mm,1500,	R256	2001-000429	R-CARBON;1KOHM,5%,1/8W,AA,TP,1.8X3.2MM
△	L401	2701-000142	INDUCTOR-AXIAL;1uH,10%,2.5x3.4mm	R258	2001-000290	R-CARBON;10KOHM,5%,1/8W,AA,TP,1.8X3.2MM
△	L402	3301-000287	CORE-FERRITE BEAD;AA,3.5x1.0x6.0mm,1500,	R260	2001-000449	R-CARBON;2.2KOHM,5%,1/8W,AA,TP,1.8X3.2MM
△	L403	2901-000297	FILTER-EMI ON BOARD;-3A,-,3.5x5,TP-	R261	2001-000449	R-CARBON;2.2KOHM,5%,1/8W,AA,TP,1.8X3.2MM
.....	L404	3301-000287	CORE-FERRITE BEAD;AA,3.5x1.0x6.0mm,1500,	R270	2001-000628	R-CARBON;300OHM,5%,1/8W,AA,TP,1.8X3.2MM

Electrical Parts List

Loc. No.	Code No.	Description ; Specification	Remark	Loc. No.	Code No.	Description ; Specification	Remark
.....5	R271	2001-000628	R-CARBON;300OHM,5%,1/8W,AA,TP,1.8X3.2MM5	R818	2003-000998	R-METAL OXIDE;300ohm,5%,2W,AF,TP,3.9x10m
.....5	R272	2001-000281	R-CARBON;100OHM,5%,1/8W,AA,TP,1.8X3.2MM5	R819	2003-002064	R-METAL OXIDE;7.5ohm,5%,2W,AF,TP,10x3.9m
.....5	R273	2001-000281	R-CARBON;100OHM,5%,1/8W,AA,TP,1.8X3.2MM5	R820	2003-002064	R-METAL OXIDE;7.5ohm,5%,2W,AF,TP,10x3.9m
.....5	R274	2001-000281	R-CARBON;100OHM,5%,1/8W,AA,TP,1.8X3.2MM5	R821	2003-002064	R-METAL OXIDE;7.5ohm,5%,2W,AF,TP,10x3.9m
.....5	R275	2001-000281	R-CARBON;100OHM,5%,1/8W,AA,TP,1.8X3.2MM5	R822	2001-000290	R-CARBON;10KOHM,5%,1/8W,AA,TP,1.8X3.2MM
.....5	R276	2001-000281	R-CARBON;100OHM,5%,1/8W,AA,TP,1.8X3.2MM5	R823	2001-001088	R-CARBON(S);1KOHM,5%,1/2W,AA,TP,2.4X6.4M
.....5	R277	2001-000281	R-CARBON;100OHM,5%,1/8W,AA,TP,1.8X3.2MM5	R824	2001-001088	R-CARBON(S);1KOHM,5%,1/2W,AA,TP,2.4X6.4M
.....5	R279	2001-000522	R-CARBON;22KOHM,5%,1/8W,AA,TP,1.8X3.2MM5	R825	2001-001131	R-CARBON(S);33KOHM,5%,1/2W,AA,TP,2.4X6.4
.....5	R280	2004-001914	R-METAL;39Kohm,2%,1/8W,AA,TP,1.8x3.5mm5	R826	2004-001983	R-METAL(S);2.49Kohm,1%,1/2W,AA,TP,2.4x6.
.....5	R288	2001-000281	R-CARBON;100OHM,5%,1/8W,AA,TP,1.8X3.2MM5	R829	2001-000734	R-CARBON;4.7KOHM,5%,1/8W,AA,TP,1.8X3.2MM
.....5	R289	2001-000011	R-CARBON;75KOHM,5%,1/8W,AA,TP,1.8X3.2MM5	R830	2003-000586	R-METAL OXIDE(S);22Kohm,5%,2W,AF,TP,4x12
.....5	R292	2001-000012	R-CARBON;68KOHM,5%,1/8W,AA,TP,1.8X3.2MM5	R831	2003-000586	R-METAL OXIDE(S);22Kohm,5%,2W,AF,TP,4x12
.....5	R293	2001-000734	R-CARBON;4.7KOHM,5%,1/8W,AA,TP,1.8X3.2MM5	R832	2003-001035	R-METAL OXIDE(S);27ohm,5%,2W,AF,TP,3.9x1
.....5	R294	2001-000734	R-CARBON;4.7KOHM,5%,1/8W,AA,TP,1.8X3.2MM5	R833	2001-000472	R-CARBON;2.7KOHM,5%,1/8W,AA,TP,1.8X3.2MM
.....5	R296	2001-000281	R-CARBON;100OHM,5%,1/8W,AA,TP,1.8X3.2MM5	R834	2004-001889	R-METAL(S);127Kohm,1%,1/2W,AA,TP,2.5x6.5
.....5	R305	2004-001371	R-METAL(S);1.5Kohm,1%,1/2W,AA,TP,2.4x6.45	R835	2001-000290	R-CARBON;10KOHM,5%,1/8W,AA,TP,1.8X3.2MM
.....5	R306	2001-000016	R-CARBON(S);1OHM,5%,1/2W,AA,TP,2.4X6.4MM5	R837	2001-001168	R-CARBON(S);6.8KOHM,5%,1/2W,AA,TP,2.4X6.
.....5	R307	2004-001371	R-METAL(S);1.5Kohm,1%,1/2W,AA,TP,2.4x6.45	R907	2001-000472	R-CARBON;2.7KOHM,5%,1/8W,AA,TP,1.8X3.2MM
.....5	R308	2008-001015	R-FUSIBLE(S);1.5ohm,5%,2W,AF,TP,3.9x10mm5	R908	2001-000472	R-CARBON;2.7KOHM,5%,1/8W,AA,TP,1.8X3.2MM
.....5	R309	2003-002150	R-METAL OXIDE;2700HM,5%,2W,AG,TP,6X16MM5	RE01	2001-000429	R-CARBON;1KOHM,5%,1/8W,AA,TP,1.8X3.2MM
.....5	R310	2003-002150	R-METAL OXIDE;2700HM,5%,2W,AG,TP,6X16MM5	RE02	2001-001178	R-CARBON(S);680OHM,5%,1/2W,AA,TP,2.4X6.4
.....5	R312	2008-001013	R-FUSIBLE(S);1.2ohm,5%,2W,AF,TP,3.9x10mm5	RE03	2001-000290	R-CARBON;10KOHM,5%,1/8W,AA,TP,1.8X3.2MM
.....5	R401	2001-000613	R-CARBON;3.9KOHM,5%,1/8W,AA,TP,1.8X3.2MM5	RE04	2001-000613	R-CARBON;3.9KOHM,5%,1/8W,AA,TP,1.8X3.2MM
.....5	R402	2001-001077	R-CARBON(S);1500HM,5%,1/2W,AA,TP,2.4X6.45	RE05	2004-001397	R-METAL(S);4.7Kohm,1%,1/2W,AA,TP,2.4x6.4
.....5	R403	2001-001079	R-CARBON(S);150HM,5%,1/2W,AA,TP,2.4X6.4M5	RE07	2001-000281	R-CARBON;1000HM,5%,1/8W,AA,TP,1.8X3.2MM
.....5	R404	2001-001114	R-CARBON(S);2700HM,5%,1/2W,AA,TP,2.4X6.45	RE08	2001-000734	R-CARBON;4.7KOHM,5%,1/8W,AA,TP,1.8X3.2MM
.....5	R405	2001-000020	R-CARBON(S);220HM,5%,1/2W,AA,TP,2.4X6.4M5	RE09	2008-001018	R-FUSIBLE(S);0.47ohm,10%,2W,AF,TP,3.9x10
.....5	R407	2003-002008	R-METAL OXIDE(S);18Kohm,5%,2W,AF,TP,3.9x5	RE10	2004-004048	R-METAL(S);3.9Kohm,1%,1/2W,AA,TP,2.5x6.5
.....5	R408	2003-000540	R-METAL OXIDE(S);1Kohm,5%,2W,AF,TP,4x12m5	RP01	2008-000205	R-FUSIBLE(S);10ohm,5%,1/2W,AF,TP,2.5x6.5
.....5	R413	2008-000253	R-FUSIBLE(S);0.47ohm,5%,1W,AF,TP,3.9x10m5	RP02	2001-001124	R-CARBON(S);3.9KOHM,5%,1/2W,AA,TP,2.4X6.4
.....5	R414	2008-000253	R-FUSIBLE(S);0.47ohm,5%,1W,AF,TP,3.9x10m5	RP03	2001-000085	R-CARBON(S);100KOHM,5%,1/2W,AA,TP,2.4X6.
.....5	R416	2004-001402	R-METAL(S);6.8Kohm,1%,1/2W,AA,TP,2.4x6.4	△.....5	RP801S	2002-001010	R-COMPOSITION;1.8Mohm,5%,1/2W,AA,TP,3.7x
.....5	R417	2001-001174	R-CARBON;62KOHM,5%,1/2W,AA,TP,2.4X6.4MM	△.....5	RR01S	2008-000206	R-FUSIBLE(S);1ohm,5%,1/2W,AF,TP,2.5x6.5mm
.....5	R418	2008-000266	R-FUSIBLE(S);1ohm,5%,2W,AF,TP,3.9x10mm	△.....5	RR02S	2001-000660	R-CARBON;33KOHM,5%,1/8W,AA,TP,1.8X3.2MM
.....5	R419	2003-001040	R-METAL OXIDE(S);47Kohm,5%,2W,AF,TP,3.9x	△.....5	RR03S	2001-001115	R-CARBON(S);27KOHM,5%,1/2W,AA,TP,2.4X6.4
.....5	R423	2003-002007	R-METAL OXIDE(S);4.7Kohm,5%,2W,AF,TP,3.9x	△.....5	RR04S	2001-000009	R-CARBON;20KOHM,5%,1/8W,AA,TP,1.8X3.2MM
.....5	R601	2001-000780	R-CARBON;4700HM,5%,1/8W,AA,TP,1.8X3.2MM	△.....5	RR05S	2004-001379	R-METAL(S);12Kohm,1%,1/2W,AA,TP,2.4x6.4m
.....5	R602	2001-000780	R-CARBON;4700HM,5%,1/8W,AA,TP,1.8X3.2MM	△.....5	RR07S	2001-000066	R-CARBON(S);10KOHM,5%,1/2W,AA,TP,2.4X6.4
.....5	R603	2001-000780	R-CARBON;4700HM,5%,1/8W,AA,TP,1.8X3.2MM	△.....5	RR401S	2004-001390	R-METAL(S);1Kohm,2%,1/2W,AA,TP,2.4x6.4mm
.....5	R604	2001-000780	R-CARBON;4700HM,5%,1/8W,AA,TP,1.8X3.2MM5	RW01	2001-000281	R-CARBON;1000HM,5%,1/8W,AA,TP,1.8X3.2MM
.....5	R605	2001-000281	R-CARBON;100OHM,5%,1/8W,AA,TP,1.8X3.2MM5	RW02	2001-000281	R-CARBON;100OHM,5%,1/8W,AA,TP,1.8X3.2MM
.....5	R606	2001-000281	R-CARBON;100OHM,5%,1/8W,AA,TP,1.8X3.2MM5	RW03	2001-000281	R-CARBON;100OHM,5%,1/8W,AA,TP,1.8X3.2MM
.....5	R607	2001-000281	R-CARBON;100OHM,5%,1/8W,AA,TP,1.8X3.2MM5	RW04	2001-000281	R-CARBON;100OHM,5%,1/8W,AA,TP,1.8X3.2MM
.....5	R608	2001-000281	R-CARBON;100OHM,5%,1/8W,AA,TP,1.8X3.2MM5	RW05	2001-000281	R-CARBON;100OHM,5%,1/8W,AA,TP,1.8X3.2MM
.....5	R609	2001-000786	R-CARBON;47KOHM,5%,1/8W,AA,TP,1.8X3.2MM	△.....5	RY801S	2002-001012	R-COMPOSITION;8.2Mohm,5%,1/2W,AA,TP,3.7x
.....5	R610	2001-000890	R-CARBON;6.8KOHM,5%,1/8W,AA,TP,1.8X3.2MM	△.....5	VX801S	1405-000152	VARISTOR;560V,2500A,14x8.5mm,TP
.....5	R611	2001-000786	R-CARBON;47KOHM,5%,1/8W,AA,TP,1.8X3.2MM5	X201	2801-003433	CRYSTAL-UNIT;12MHZ,30PPM,28-AAM,30PF,300
.....5	R612	2001-000890	R-CARBON;6.8KOHM,5%,1/8W,AA,TP,1.8X3.2MM5	X601	2801-000186	CRYSTAL-UNIT;18.432MHZ,25ppm,28-AAM,8pF,
.....5	R613	2001-000281	R-CARBON;100OHM,5%,1/8W,AA,TP,1.8X3.2MM5	Z202	2903-000129	FILTER-CERAMIC;BR,4.5MHz,-,-,TP,-
.....5	R614	2001-000281	R-CARBON;100OHM,5%,1/8W,AA,TP,1.8X3.2MM	..2	AA94-08273Y	ASSY PCB MISC-CRT;TXM2792FX/XAA,K57A	
.....5	R615	2001-000290	R-CARBON;10KOHM,5%,1/8W,AA,TP,1.8X3.2MM	..3	CN501E	AA39-20031D	LEAD CONNECTOR-ASSY;9P,67096-009,S,500,
.....5	R617	2001-000429	R-CARBON;1KOHM,5%,1/8W,AA,TP,1.8X3.2MM	..3	CN502E	AA39-20027B	LEAD CONNECTOR-ASSY;6P,67096-006,S,400,
.....5	R618	2001-000290	R-CARBON;10KOHM,5%,1/8W,AA,TP,1.8X3.2MM	..3	IC501	AA96-50311E	ASSY H/S;-,-,AA62-30175D,TDA6108UF,-
.....5	R619	2001-000290	R-CARBON;10KOHM,5%,1/8W,AA,TP,1.8X3.2MM	..4		1201-001330	IC-VIDEO AMP;6108,ZSIP,9P;-,-,SINGLE,-,PLA
.....5	R705	2001-000969	R-CARBON;75OHM,5%,1/8W,AA,TP,1.8X3.2MM	..4		6003-000334	SCREW-TAPTITE;RH,+2S,M3,L8,ZPC(YEL),SWR
.....5	R706	2001-000969	R-CARBON;75OHM,5%,1/8W,AA,TP,1.8X3.2MM	..4		AA62-30175D	HEAT SINK-PS;-,-,SECC,T1.0,-,-,33X15X30 FT-2
.....5	R707	2001-000969	R-CARBON;75OHM,5%,1/8W,AA,TP,1.8X3.2MM	..3	ICG01	1201-000191	IC-OP AMP;4558,DIP,8P,300MIL,DUAL,20V/mV
.....5	R708	2001-000969	R-CARBON;75OHM,5%,1/8W,AA,TP,1.8X3.2MM	..3	JA501	3722-001503	JACK-PIN;1P,1PI,NI,RED,SCR-JACK
.....5	R709	2001-000969	R-CARBON;75OHM,5%,1/8W,AA,TP,1.8X3.2MM	..3	QF04	AA96-00243L	ASSY H/S;-,-,CRT,AA62-000450A,2SC2344,HERC
.....5	R710	2001-000969	R-CARBON;75OHM,5%,1/8W,AA,TP,1.8X3.2MM	..4		0205-000129	GREASE-SILICON;SC102,JAPAN
.....5	R711	2001-000969	R-CARBON;75OHM,5%,1/8W,AA,TP,1.8X3.2MM	..4		0502-000153	TR-POWER;2SC2344-D,NPN,1.2W,TO-220,-,60
.....5	R712	2001-000273	R-CARBON;100KOHM,5%,1/8W,AA,TP,1.8X3.2MM	..4		6003-000335	SCREW-TAPTITE;RH,+2S,M3,L8,ZPC(YEL),SWR
.....5	R713	2001-000273	R-CARBON;100KOHM,5%,1/8W,AA,TP,1.8X3.2MM	..4		AA62-00045A	HEAT SINK-PS;-,-,T1.0,-,-,DREAM,-,-,-,-
.....5	R714	2001-000786	R-CARBON;47KOHM,5%,1/8W,AA,TP,1.8X3.2MM	..3	QF05	AA96-00243M	ASSY H/S;-,-,AMP,AA62-000450A,2SA1011,HERC
.....5	R716	2001-000522	R-CARBON;22KOHM,5%,1/8W,AA,TP,1.8X3.2MM	..4		0205-000129	GREASE-SILICON;SC102,JAPAN
.....5	R717	2001-000429	R-CARBON;1KOHM,5%,1/8W,AA,TP,1.8X3.2MM	..4		0502-000131	TR-POWER;2SA1011-D,NPN,1.2W,TO-220,-,60
.....5	R718	2001-000515	R-CARBON;220OHM,5%,1/8W,AA,TP,1.8X3.2MM	..4		6003-000335	SCREW-TAPTITE;RH,+2S,M3,L8,ZPC(YEL),SWR
.....5	R719	2001-000554	R-CARBON;2700HM,5%,1/8W,AA,TP,1.8X3.2MM	..4		AA62-00045A	HEAT SINK-PS;-,-,T1.0,-,-,DREAM,-,-,-,-
.....5	R806	2001-000019	R-CARBON(S);110OHM,5%,1/2W,AA,TP,2.4X6.4M	..3	VA999	3704-000114	SOCKET-CRT;14P,29.1.35.5,SN,ISH09S/BK
.....5	R809	2001-000109	R-CARBON(S);470OHM,5%,1/2W,AA,TP,2.4X6.4	..3		AA39-20010D	LEAD CONNECTOR-ASSY;1PYFH800-01,S,400,
.....5	R810	2001-001192	R-CARBON(S);820OHM,5%,1/2W,AA,TP,2.4X6.4	..3		AA97-07608D	ASSY AUTO-CRT;TXM2792FX/XAA,K57A
.....5	R812	2001-001067	R-CARBON(S);11KOHM,5%,1/2W,AA,TP,2.4X6.4	..4	C509	2201-000723	C-CERAMIC,DISC;4.7nF,20%,3KV,Y5U,TP,16x5
.....5	R813	2001-000290	R-CARBON;10KOHM,5%,1/8W,AA,TP,1.8X3.2MM	..4	C510	2401-001232	C-AL;4.7uF,20%,250V,GP,TP,10x12.5,5
.....5	R814	2001-000563	R-CARBON;27KOHM,5%,1/8W,AA,TP,1.8X3.2MM	..4	C512	2301-000192	C-FILM,PEF;1nF,5%,50V,TP,5.3x10mm,5mm
.....5	R815	2008-000205	R-FUSIBLE(S);10ohm,5%,1/2W,AF,TP,2.5x6.5	..4	C514	2401-000430	C-AL;10uF,20%,250V,GP,TP,10x16mm,5m
.....5	R816	2901-000297	FILTER-EMI ON BOARD;-,-,3A,-,-,3.5x5,TP,-	..4	C515	2401-001563	C-AL;47uF,20%,400V,GP,TP,16x25.7,5
.....5	R817	2001-000020	R-CARBON(S);220HM,5%,1/2W,AA,TP,2.4X6.4M	..4	C516	2305-000704	C-FILM,MPEF;100nF,5%,250V,TP,16.5x10.3x5

Loc. No.	Code No.	Description ; Specification	Remark	Loc. No.	Code No.	Description ; Specification	Remark
...4	C520	2401-002267	C-AL;2.2uF,20%,250V,GP,TP;8x11.5,5	...4	QG01	0501-000283	TR-SMALL SIGNAL;KSA539,PNP,400mW,TO-92,T
...4	CF01	2201-000370	C-CERAMIC,DISC;0.22nF,10%,50V,Y5P,TP;4x3	...4	QG02	0502-000244	TR-POWER;KSA940,PNP,1.5W,TO-220,-,40-14
...4	CF02	2301-000192	C-FILM,PEF;1nF,5%,50V,TP;5.3x10mm,5mm	...4	QG03	0502-001007	TR-POWER;KSC2073-H2,NPN,25W,TO-220,ST,6
...4	CF03	2201-000376	C-CERAMIC,DISC;0.22nF,5%,50V,SL,TP;6.3x3	...4	R509	2001-000490	R-CARBON;200OHM,5%,1/8W,AA,TP,1.8X3.2MM
...4	CF04	2201-000653	C-CERAMIC,DISC;0.068nF,5%,50V,SL,TP;5x3,	...4	R511	2001-000490	R-CARBON;200OHM,5%,1/8W,AA,TP,1.8X3.2MM
...4	CF05	2301-000261	C-FILM,PEF;4.7nF,5%,100V,TP;10.5x12.5x6,	...4	R512	2002-001008	R-COMPOSITION;1.8Kohm,10%,1/2W,AA,TP;3.7
...4	CF06	2201-000516	C-CERAMIC,DISC;4.7nF,+100-0%,500V,Y5U,TP	...4	R515	2002-001008	R-COMPOSITION;1.8Kohm,10%,1/2W,AA,TP;3.7
...4	CF07	2305-000704	C-FILM,MPEF;100nF,5%,250V,TP;16.5x10.3x5	...4	R517	2001-000490	R-CARBON;200OHM,5%,1/8W,AA,TP,1.8X3.2MM
...4	CF08	2201-000604	C-CERAMIC,DISC;0.056nF,+100-0%,500V,SL,T	...4	R518	2002-001008	R-COMPOSITION;1.8Kohm,10%,1/2W,AA,TP;3.7
...4	CF10	2401-001840	C-AL;100uF,20%,16V,GP,TP;6.3x11.5,	...4	R519	2008-000299	R-FUSIBLE(S);47ohm,5%,2W,AF,TP;3.9x10mm
...4	CF11	2401-000927	C-AL;22uF,20%,250V,GP,TP;13x20,5	...4	R521	2002-001009	R-COMPOSITION;2.7Kohm,10%,1/2W,AA,TP;3.7
...4	CF12	2401-001840	C-AL;100uF,20%,16V,GP,TP;6.3x11.5,	...4	R522	2008-001129	R-FUSIBLE(S);1.5ohm,5%,1/2W,AF,TP;2.5x6
...4	CF14	2401-000832	C-AL;220uF,20%,25V,GP,TP;8x11.5,5,	...4	R523	2008-001018	R-FUSIBLE(S);0.47ohm,10%,2W,AF,TP;3.9x10
...4	CG01	2401-000832	C-AL;220uF,20%,25V,GP,TP;8x11.5,5,	...4	R548	2001-001062	R-CARBON(S);10MOHM,5%,1/2W,AA,TP;2.4X6.4
...4	CG02	2305-000149	C-FILM,MPEF;100nF,5%,100V,TP;12x12.5x6.5	...4	RF01	2001-000449	R-CARBON;2.2KOHM,5%,1/8W,AA,TP,1.8X3.2MM
...4	CG03	2401-000493	C-AL;10uF,20%,50V,LZ,TP;5x11mm,5mm	...4	RF02	2001-000405	R-CARBON;180OHM,5%,1/8W,AA,TP,1.8X3.2MM
...4	CG04	2401-000832	C-AL;220uF,20%,25V,GP,TP;8x11.5,5,	...4	RF03	2001-000362	R-CARBON;150OHM,5%,1/8W,AA,TP,1.8X3.2MM
...4	CN501A	3711-002648	CONNECTOR-HEADER;BOX,9P,1R,2.5mm,STRAIGH	...4	RF04	2001-000449	R-CARBON;2.2KOHM,5%,1/8W,AA,TP,1.8X3.2MM
...4	CN502A	3711-002645	CONNECTOR-HEADER;BOX,6P,1R,2.5mm,STRAIGH	...4	RF05	2001-000362	R-CARBON;150OHM,5%,1/8W,AA,TP,1.8X3.2MM
...4	CNF01	3711-002642	CONNECTOR-HEADER;BOX,3P,1R,2.5mm,STRAIGH	...4	RF06	2001-001107	R-CARBON(S);220ohm,5%,1/2W,AA,TP,2.4x6.4
...4	CNG01	3711-002643	CONNECTOR-HEADER;BOX,4P,1R,2.5mm,STRAIGH	...4	RF07	2001-000924	R-CARBON;680OHM,5%,1/8W,AA,TP,1.8X3.2MM
...4	D504	0402-000254	DIODE-RECTIFIER;RGP10J,600V,1A,DO-41,TP	...4	RF08	2001-000313	R-CARBON;11KOHM,5%,1/8W,AA,TP,1.8X3.2MM
...4	D514	0402-001105	DIODE-RECTIFIER;ERB43-04SV1,400V,1.0A,-,	...4	RF09	2001-000221	R-CARBON;1.2KOHM,5%,1/8W,AA,TP,1.8X3.2MM
...4	D515	0402-001105	DIODE-RECTIFIER;ERB43-04SV1,400V,1.0A,-,	...4	RF10	2001-000241	R-CARBON;1.5KOHM,5%,1/8W,AA,TP,1.8X3.2MM
...4	D516	0402-001105	DIODE-RECTIFIER;ERB43-04SV1,400V,1.0A,-,	...4	RF11	2001-000241	R-CARBON;1.5KOHM,5%,1/8W,AA,TP,1.8X3.2MM
...4	D517	0402-001105	DIODE-RECTIFIER;ERB43-04SV1,400V,1.0A,-,	...4	RF12	2001-000221	R-CARBON;1.2KOHM,5%,1/8W,AA,TP,1.8X3.2MM
...4	D518	0402-001105	DIODE-RECTIFIER;ERB43-04SV1,400V,1.0A,-,	...4	RF13	2001-001179	R-CARBON(S);68KOHM,5%,1/2W,AA,TP,2.4X6.4
...4	D519	0402-001105	DIODE-RECTIFIER;ERB43-04SV1,400V,1.0A,-,	...4	RF14	2001-001071	R-CARBON(S);12KOHM,5%,1/2W,AA,TP,2.4X6.4
...4	DF01	0401-000005	DIODE-SWITCHING;1N4148,100V,200mA,DO-35,	...4	RF15	2001-001170	R-CARBON(S);6.8OHM,5%,1/2W,AA,TP,2.4X6.4
...4	DF02	0402-001105	DIODE-RECTIFIER;ERB43-04SV1,400V,1.0A,-,	...4	RF16	2001-001179	R-CARBON(S);68KOHM,5%,1/2W,AA,TP,2.4X6.4
...4	DF03	0402-001105	DIODE-RECTIFIER;ERB43-04SV1,400V,1.0A,-,	...4	RF17	2001-001124	R-CARBON(S);3.9OHM,5%,1/2W,AA,TP,2.4X6.4
...4	DF04	0401-000005	DIODE-SWITCHING;1N4148,100V,200mA,DO-35,	...4	RF18	2003-000458	R-METAL OXIDE(S);100ohm,5%,2W,AF,TP,4x12
...4	DG01	0401-000005	DIODE-SWITCHING;1N4148,100V,200mA,DO-35,	...4	RF19	2003-001023	R-METAL OXIDE(S);120ohm,5%,2W,AF,TP,3.9x
...4	DZ501	0403-001211	DIODE-ZENER;MTZJ12B,11.44-12.03V,500MW,D	...4	RF20	2003-002214	R-METAL OXIDE(S);680ohm,5%,2W,AG,TP,3.9x
...4	DZ502	0403-001211	DIODE-ZENER;MTZJ12B,11.44-12.03V,500MW,D	...4	RF21	2003-002214	R-METAL OXIDE(S);680ohm,5%,2W,AG,TP,3.9x
...4	DZ503	0403-001211	DIODE-ZENER;MTZJ12B,11.44-12.03V,500MW,D	...4	RF22	2003-002214	R-METAL OXIDE(S);680ohm,5%,2W,AG,TP,3.9x
...4	DZ504	0403-001211	DIODE-ZENER;MTZJ12B,11.44-12.03V,500MW,D	...4	RF23	2003-000746	R-METAL OXIDE(S);56ohm,5%,2W,AF,TP,4x12m
...4	DZ507	0403-001325	DIODE-ZENER;MTZJ15C,14.35-15.09V,500mW,D	...4	RF24	2003-000746	R-METAL OXIDE(S);56ohm,5%,2W,AF,TP,4x12m
...4	DZF01	0403-001039	DIODE-ZENER;MA2560,56V,52-60V,1W,DO-41,T	...4	RF25	2003-001018	R-METAL OXIDE(S);220ohm,5%,2W,AF,TP,3.9x
...4	DZF02	0403-001039	DIODE-ZENER;MA2560,56V,52-60V,1W,DO-41,T	...4	RF26	2001-000313	R-CARBON;11KOHM,5%,1/8W,AA,TP,1.8X3.2MM
...4	DZG501	0403-001328	DIODE-ZENER;MTZJ22A,20.15-21.20V,500mW,D	...4	RG01	2004-001397	R-METAL(S);4.7Kohm,1%,1/2W,AA,TP,2.4x6.4
...4	EL79	6042-000001	EYELET;ID2,2,OD2.7,L3.1,SN,BSS3-E/EH	...4	RG02	2004-002022	R-METAL(S);51Kohm,1%,1/2W,AA,TP,2.4x6.4m
...4	EL80	6042-000001	EYELET;ID2,2,OD2.7,L3.1,SN,BSS3-E/EH	...4	RG03	2004-001987	R-METAL(S);4.3Kohm,1%,1/2W,AA,TP,2.4x6.4
...4	EL81	6042-000001	EYELET;ID2,2,OD2.7,L3.1,SN,BSS3-E/EH	...4	RG04	2004-002022	R-METAL(S);51Kohm,1%,1/2W,AA,TP,2.4x6.4m
...4	EL82	6042-000001	EYELET;ID2,2,OD2.7,L3.1,SN,BSS3-E/EH	...4	RG05	2001-001163	R-CARBON(S);560OHM,5%,1/2W,AA,TP,2.4X6.4
...4	EL83	6042-000001	EYELET;ID2,2,OD2.7,L3.1,SN,BSS3-E/EH	...4	RG06	2001-001100	R-CARBON(S);2.7OHM,5%,1/2W,AA,TP,2.4X6.4
...4	EL84	6042-000001	EYELET;ID2,2,OD2.7,L3.1,SN,BSS3-E/EH	...4	RG07	2001-001100	R-CARBON(S);2.7OHM,5%,1/2W,AA,TP,2.4X6.4
...4	EL85	6042-000001	EYELET;ID2,2,OD2.7,L3.1,SN,BSS3-E/EH	...4	RG08	2001-001163	R-CARBON(S);560OHM,5%,1/2W,AA,TP,2.4X6.4
...4	EL86	6042-000001	EYELET;ID2,2,OD2.7,L3.1,SN,BSS3-E/EH	...3	AA63-10002A	BAND-TIE;NYLON66 V2,L100,NTR	
...4	EL87	6042-000001	EYELET;ID2,2,OD2.7,L3.1,SN,BSS3-E/EH	...3	0202-000187	SOLDER-WIRE FLUX;-,RS60S,1.2,63Sn/37Pb	
...4	EL88	6042-000001	EYELET;ID2,2,OD2.7,L3.1,SN,BSS3-E/EH				
...4	EL89	6042-000001	EYELET;ID2,2,OD2.7,L3.1,SN,BSS3-E/EH				
...4	EL90	6042-000001	EYELET;ID2,2,OD2.7,L3.1,SN,BSS3-E/EH				
...4	EL93	6042-000001	EYELET;ID2,2,OD2.7,L3.1,SN,BSS3-E/EH				
...4	EL94	6042-000001	EYELET;ID2,2,OD2.7,L3.1,SN,BSS3-E/EH				
...4	EL95	6042-000001	EYELET;ID2,2,OD2.7,L3.1,SN,BSS3-E/EH				
...4	EL96	6042-000001	EYELET;ID2,2,OD2.7,L3.1,SN,BSS3-E/EH				
...4	EY501	AA60-40011A	K EYELET;ID2,0,OD2.8,BST				
...4	GT504	AA60-40014A	PIN-GT,ASSY;AUTO				
...4	GT505	AA60-40014A	PIN-GT,ASSY;AUTO				
...4	GT506	AA60-40014A	PIN-GT,ASSY;AUTO				
...4	L501	2701-000112	INDUCTOR-AXIAL;100uH,10%,3x7mm				
...4	L503	3301-000287	CORE-FERRITE BEAD;AA,3.5x1.0x6.0mm,1500,				
...4	L504	2701-000115	INDUCTOR-AXIAL;10uH,10%,3x7mm				
...4	L507	2701-000115	INDUCTOR-AXIAL;10uH,10%,3x7mm				
...4	L508	2701-000112	INDUCTOR-AXIAL;100uH,10%,3x7mm				
...4	L509	2901-000297	FILTER-EMI ON BOARD;-;3A,-,-,3.5x5,TP-				
...4	LF01	3301-000287	CORE-FERRITE BEAD;AA,3.5x1.0x6.0mm,1500,				
...4	LF02	2701-000112	INDUCTOR-AXIAL;100uH,10%,3x7mm				
...4	LF04	2901-000297	FILTER-EMI ON BOARD;-;3A,-,-,3.5x5,TP-				
...4	LF05	2901-000297	FILTER-EMI ON BOARD;-;3A,-,-,3.5x5,TP-				
...4	LF06	2901-000297	FILTER-EMI ON BOARD;-;3A,-,-,3.5x5,TP-				
...4	LF07	2901-000297	FILTER-EMI ON BOARD;-;3A,-,-,3.5x5,TP-				
...4	PCB	AA41-00683A	PCB-CRT;QUEST,FR,1,1L,A,1.6T,330X245,K57				
...4	QF01	0501-000389	TR-SMALL SIGNAL;KSC815,NPN,400mW,TO-92,T				
...4	QF02	0501-000389	TR-SMALL SIGNAL;KSC815,NPN,400mW,TO-92,T				
...4	QF03	0501-000369	TR-SMALL SIGNAL;KSC2331-Y,NPN,1000mW,TO-				
...4	QG01	0501-000283	TR-SMALL SIGNAL;KSA539,PNP,400mW,TO-92,T				
...4	QG02	0502-000244	TR-POWER;KSA940,PNP,1.5W,TO-220,-,40-14				
...4	QG03	0502-001007	TR-POWER;KSC2073-H2,NPN,25W,TO-220,ST,6				
...4	R509	2001-000490	R-CARBON;200OHM,5%,1/8W,AA,TP,1.8X3.2MM				
...4	R511	2001-000490	R-CARBON;200OHM,5%,1/8W,AA,TP,1.8X3.2MM				
...4	R512	2002-001008	R-COMPOSITION;1.8Kohm,10%,1/2W,AA,TP;3.7				
...4	R515	2002-001008	R-COMPOSITION;1.8Kohm,10%,1/2W,AA,TP;3.7				
...4	R517	2001-000490	R-CARBON;200OHM,5%,1/8W,AA,TP,1.8X3.2MM				
...4	R518	2002-001008	R-COMPOSITION;1.8Kohm,10%,1/2W,AA,TP;3.7				
...4	R519	2008-000299	R-FUSIBLE(S);47ohm,5%,2W,AF,TP;3.9x10mm				
...4	R521	2002-001009	R-COMPOSITION;2.7Kohm,10%,1/2W,AA,TP;3.7				
...4	R522	2008-001129	R-FUSIBLE(S);1.5ohm,5%,1/2W,AF,TP;2.5x6				
...4	R523	2008-001018	R-FUSIBLE(S);0.47ohm,10%,2W,AF,TP;3.9x10				
...4	R548	2001-001062	R-CARBON(S);10MOHM,5%,1/2W,AA,TP,2.4X6.4				
...4	RF01	2001-000449	R-CARBON;2.2KOHM,5%,1/8W,AA,TP,1.8X3.2MM				
...4	RF02	2001-000405	R-CARBON;180OHM,5%,1/8W,AA,TP,1.8X3.2MM				
...4	RF03	2001-000362	R-CARBON;150OHM,5%,1/8W,AA,TP,1.8X3.2MM				
...4	RF04	2001-000449	R-CARBON;2.2KOHM,5%,1/8W,AA,TP,1.8X3.2MM				
...4	RF05	2001-000362	R-CARBON;150OHM,5%,1/8W,AA,TP,1.8X3.2MM				
...4	RF06	2001-001107	R-CARBON(S);220ohm,5%,1/2W,AA,TP,2.4x6.4				
...4	RF07	2001-000924	R-CARBON;680OHM,5%,1/8W,AA,TP,1.8X3.2MM				
...4	RF08	2001-000313	R-CARBON;11KOHM,5%,1/8W,AA,TP,1.8X3.2MM				
...4	RF09	2001-000221	R-CARBON;1.2KOHM,5%,1/8W,AA,TP,1.8X3.2MM				
...4	RF10	2001-000241	R-CARBON;1.5KOHM,5%,1/8W,AA,TP,1.8X3.2MM				
...4	RF11	2001-000241	R-CARBON;1.5KOHM,5%,1/8W,AA,TP,1.8X3.2MM				
...4	RF12	2001-000221	R-CARBON;1.2KOHM,5%,1/8W,AA,TP,1.8X3.2MM				
...4	RF13	2001-001179	R-CARBON(S);68KOHM,5%,1/2W,AA,TP,2.4X6.4				
...4	RF14	2001-001071	R-CARBON(S);12KOHM,5%,1/2W,AA,TP,2.4X6.4				
...4	RF15	2001-001170	R-CARBON(S);6.8OHM,5%,1/2W,AA,TP,2.4X6.4				
...4	RF16	2001-001179	R-CARBON(S);68KOHM,5%,1/2W,AA,TP,2.4X6.4				
...4	RF17	2001-001124	R-CARBON(S);3.9OHM,5%,1/2W,AA,TP,2.4X6.4				
...4	RF18	2003-000458	R-METAL OXIDE(S);100ohm,5%,2W,AF,TP,4x12				
...4	RF19	2003-001023	R-METAL OXIDE(S);120ohm,5%,2W,AF,TP,3.9x				
...4	RF20	2003-002214	R-METAL OXIDE(S);680ohm,5%,2W,AG,TP,3.9x				
...4	RF21	2003-002214	R-METAL OXIDE(S);680ohm,5%,2W,AG,TP,3.9x				
...4	RF22	2003-002214	R-METAL OXIDE(S);680ohm,5%,2W,AG,TP,3.9x				
...4	RF23	2003-000746	R-METAL OXIDE(S);56ohm,5%,2W,AF,TP,4x12m				
...4	RF24	2003-000746	R-METAL OXIDE(S);56ohm,5%,2W,AF,TP,4x12m				
...4	RF25	2003-001018	R-METAL OXIDE(S);220ohm,5%,2W,AF,TP,3.9x				
...4	RF26	2001-000313	R-CARBON;11KOHM,5%,1/8W,AA,TP,1.8X3.2MM				
...4	RG01	2004-001397	R-METAL(S);4.7Kohm,1%,1/2W,AA,TP,2.4x6.4				
...4	RG02	2004-002022	R-M				

Electrical Parts List

Loc. No.	Code No.	Description ; Specification	Remark	Loc. No.	Code No.	Description ; Specification	Remark
..2	PCB+CF	6003-001026	SCREW-TAPTITE;RH,+,B,M4,L15,ZPC(BLK),SWR				
..2	PCB+HP	6003-001023	SCREW-TAPTITE;RWH,+,B,M3,L10,ZPC(YEL),SW				
..2	SPK+CF	6006-001095	SCREW-ASS'Y TAPT;WPBH,+,M4,L12,ZPC(YEL)				
..2		AA91-00777Y	ASSY CABINET FRONT;29M6 K57A SECA,I1112				
...3	KC+CF	6003-001026	SCREW-TAPTITE;RH,+,B,M4,L15,ZPC(BLK),SWR				
...3	WR+CF	6003-001026	SCREW-TAPTITE;RH,+,B,M4,L15,ZPC(BLK),SWR				
...3		AA64-02103B	WINDOW-RMC,LED;25M6,29M6,ACRYL,HB,CLEAR				
...3		AA64-02104B	DECORATION-POWER;25M6,29M6,ABS,HB,WHT,SV				
...3		AA64-03038F	CABINET-FRONT;29M6 K57A SECA,HIPS,VO,G43				
...3		AA64-70117B	BADGE-BRAND;-AL,-,L65,R2000,SILVER,SS				
...3		AA65-00011C	CLAMPER CORE-WIRE;ALL MODEL,NYLON 66,V2,				
...3		AA65-30105A	CLAMPER CORE-WIRE;ALL MODEL,NYLON 66,V2,				
...3		AA64-02102B	KNOB CONTROL;25M6,29M6,ABS,HB,G3676,SV10				
...3		AA61-00711D	HOLDER-PCB;29U1,U2,HIPS VO,BK502(HB-PROP				
...3		AA61-60003J	SPRING ETC-CS;-SUS304,-,OD6,N7,OD6,-,				
...3		AA63-00488B	COVER-CONTROL;29M6,ABS,HB,WHT,SVM6145+CL				
...3		AA64-01506D	INLAY-AV;29K3,PVC-SHEET,T0.3,-,P/GRAY,				
...3		AA64-02100B	KNOB POWER;25M6,29M6,ABS,HB,G3676,IVN-11				
..2		AA91-00507A	ASSY HOLDER SPK;-,-,80HM/15W,-,ASSY HOLD				
..2		AA73-00005B	RUBBER-CAP;FLAT,PRJ,SILICONE RUBBER,WHIT				
..2		AA65-30017A	CLAMPER CORE-D,COIL;-NYLON-66,VO,-,NTR,				
..2		AA60-00055C	SPACER-GUM,CRT;ALL MODEL,NTR RUBBER,GRY,				
..2		AA61-00813B	SUPPOT-CRT;25M6,29M6,HIPS,HB,NATURL				
..2		AA61-10054A	BRACKET-CRATER;6277,STS304,T0.5,-,-,-				
..2		AA65-00019A	CLAMPER CORE-D,COIL;25-34,NYLON 66,V2,N				

ASSY P/MATERIAL

1	*	AA92-03126U	ASSY P/MATERIAL;29M6
..2		AA63-10007C	BAND-PP;W18,CLEA,1G
..2		AA60-40006A	PIN-STAPLE;33X17.8X2.4,H18,33X17.8X2.4

ASSY CPT

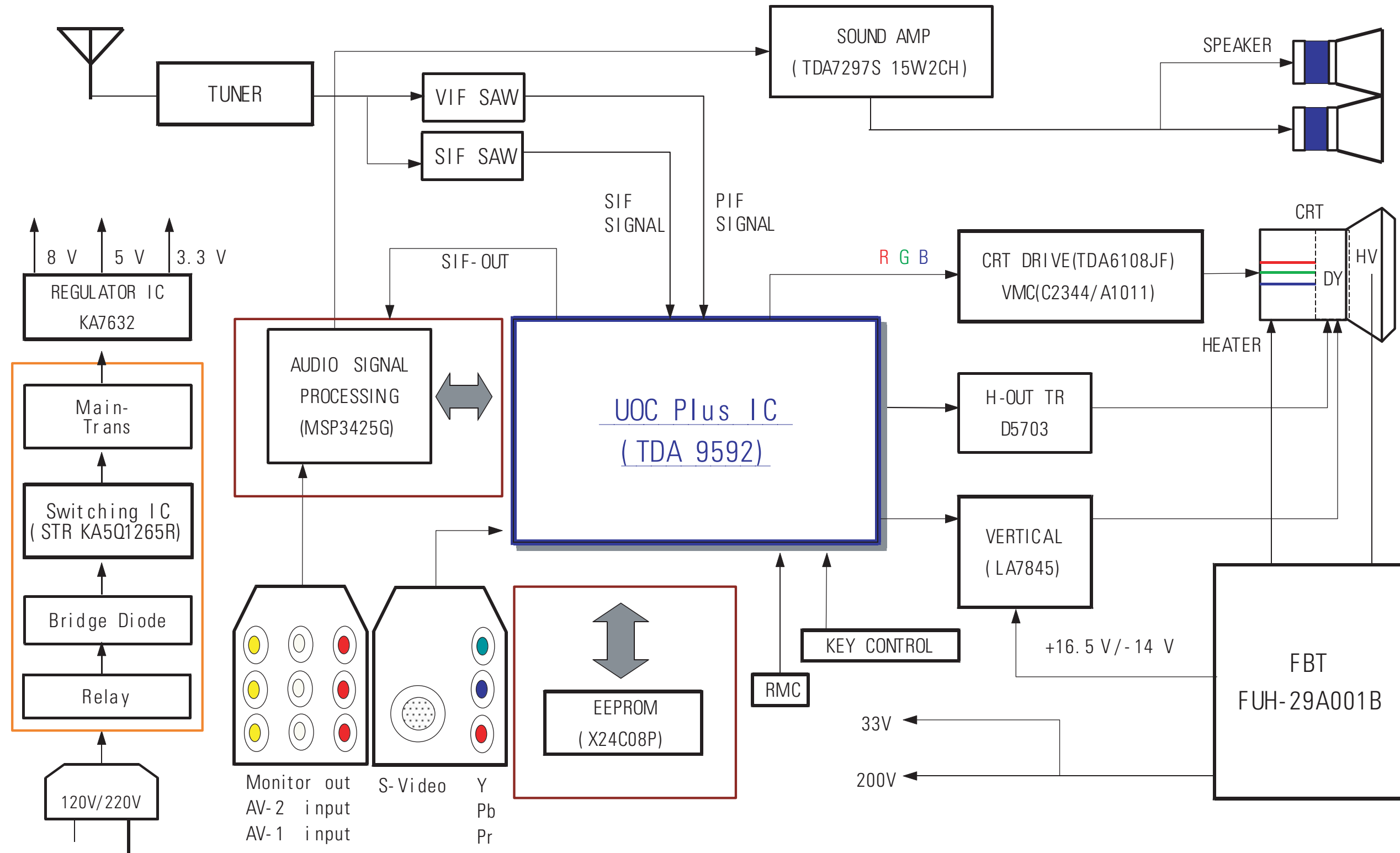
1	*	AA91-03995N	ASSY CPT;A68QCP(+),29,+380MG,ITC,SDI FL
△..2		AA27-20002Q	COIL DEGAUSSING;-29,14ohm,70T,L3300,E
..2		AA91-02173K	ASSY CPT;A68QCP891X100,29,+380MGAA03-00
...3		AA03-00273A	CRT COLOR;A68QCP891X100,+380MG,1.1MH,14.
..2		AA98-70011A	ASSY TBC WIRE(P);-.29INCH,NTSC,PAL,2P-WH
..2		3301-001456	CORE-FERRITE;AE,15°ø7°ø18MM,-,-

ASSY ACCESSORY

1	*	AA92-06851E	ASSY ACCESSORY;TXM2792FX/XAC
..2		AA68-02519A	MANUAL USERS;TXM2792FFRE,W/P100G,K57A,B
..2		AA68-02477A	MANUAL USERS;TXM2792F,ENG,W/P100,K57A,B5
..2		AA68-00682C	CARD WARRANTY-01;PDP,W/P120(G),SECA,B5,B
..2		AA59-00141D	REMOCON;TM58,SSM174PT,41,SS,L/GRAY,MBR,
...3		2802-000194	RESONATOR-CERAMIC;8MHz,1.0%,TP,8.5x4.5x5
...3		AA09-00052A	IC MICOM;Z86L8808SSC-R5019,2-3.9V,REMOCO

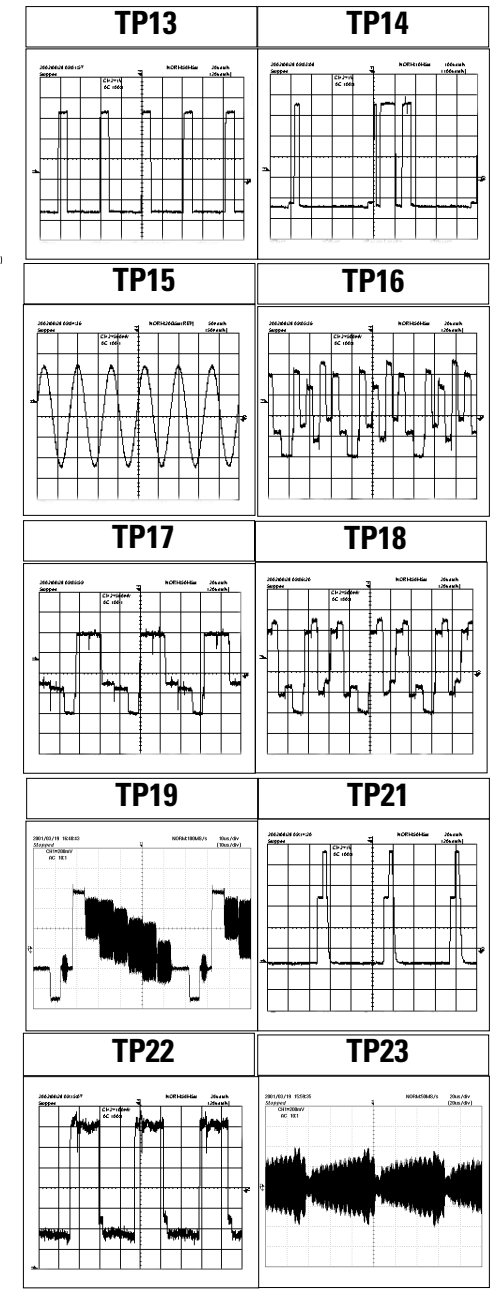
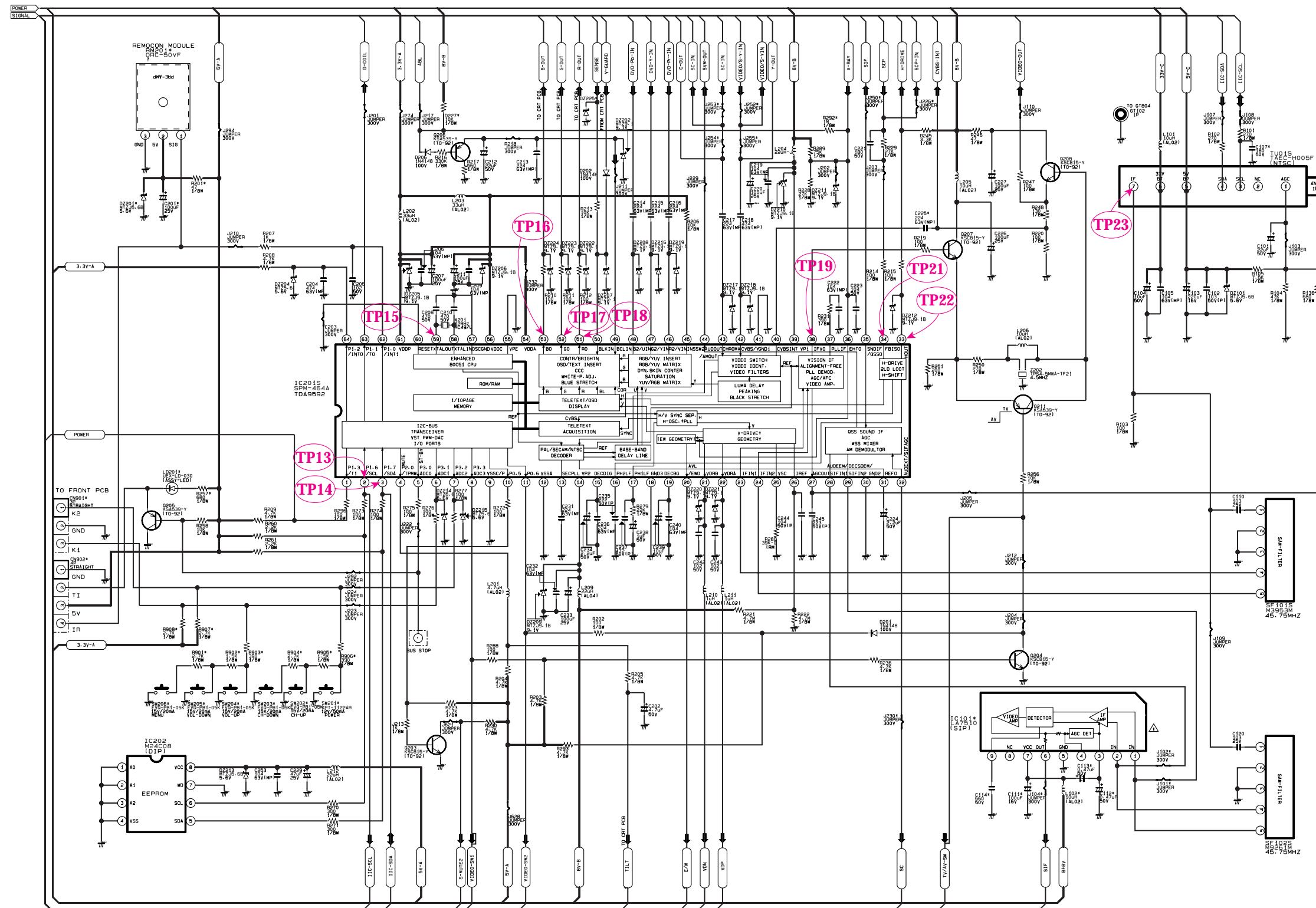
8. Block Diagram

8-1 K57A

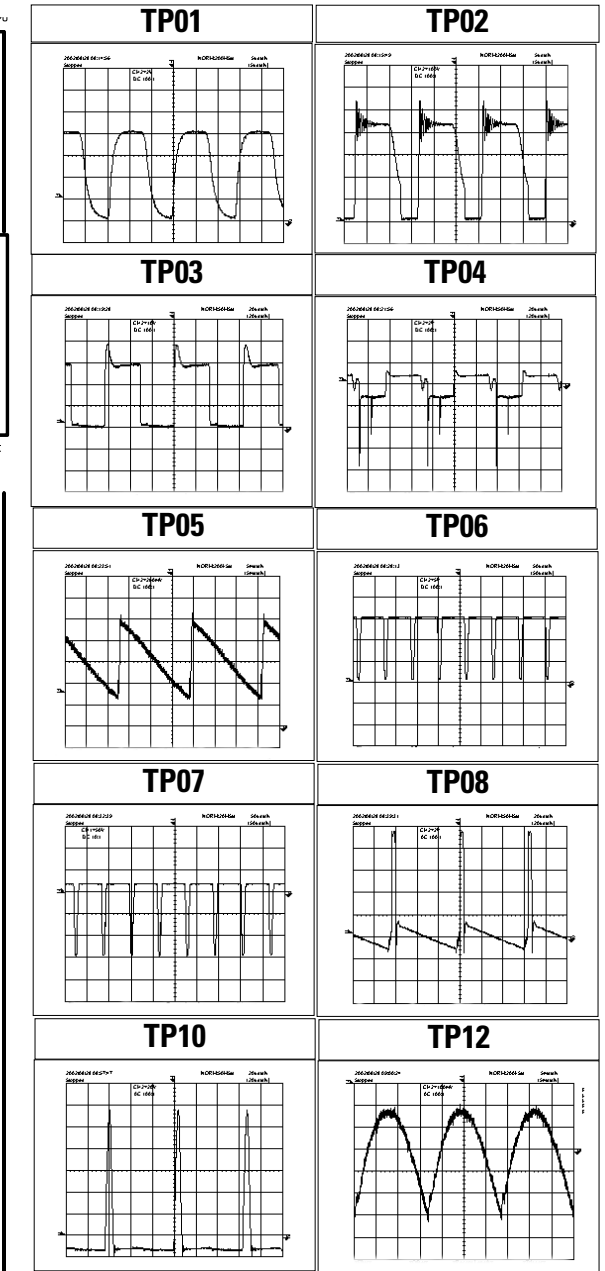
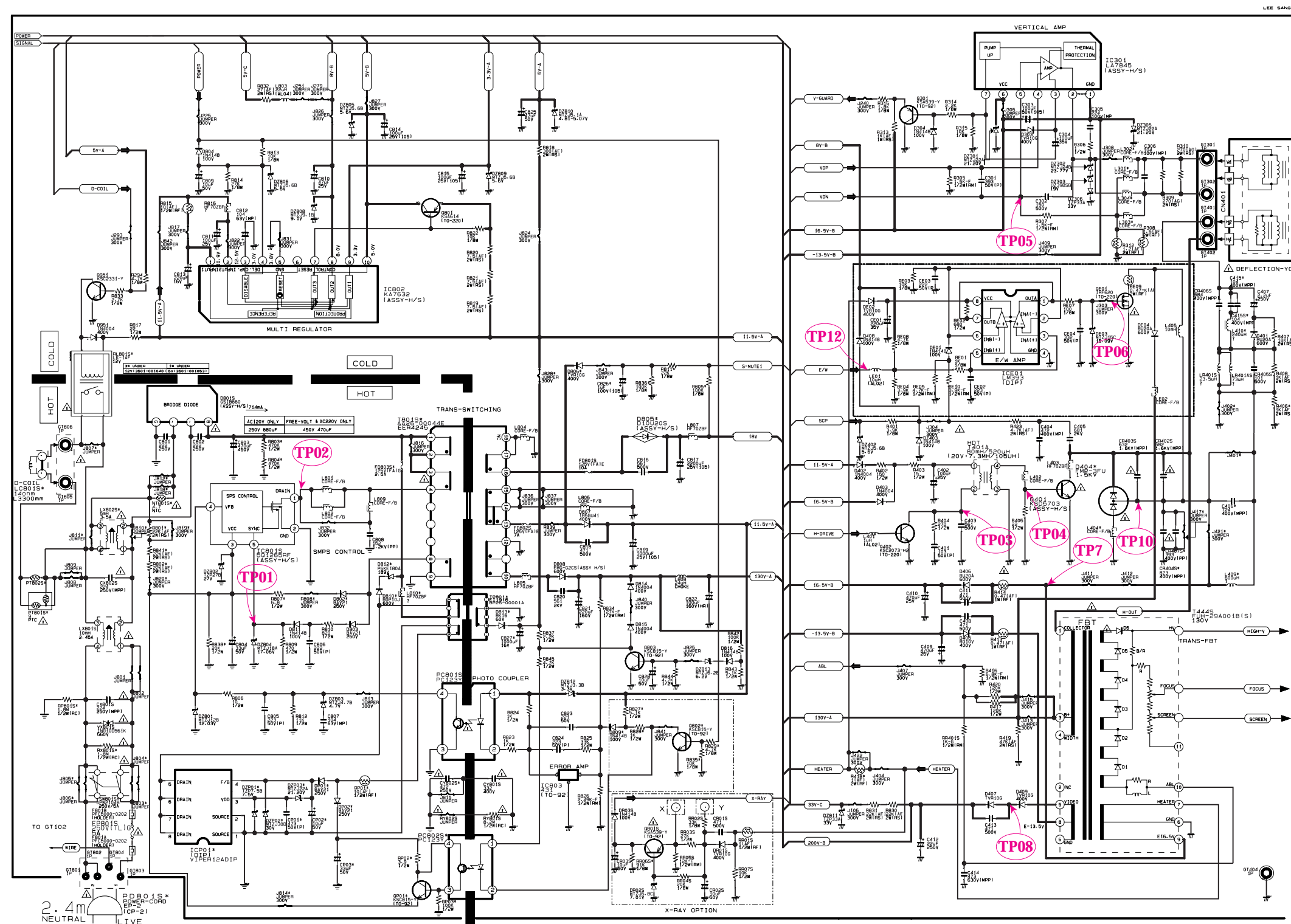


10. Schematic Diagrams

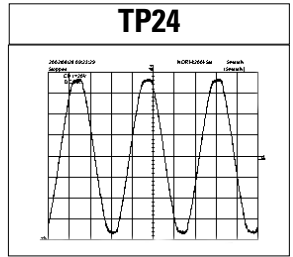
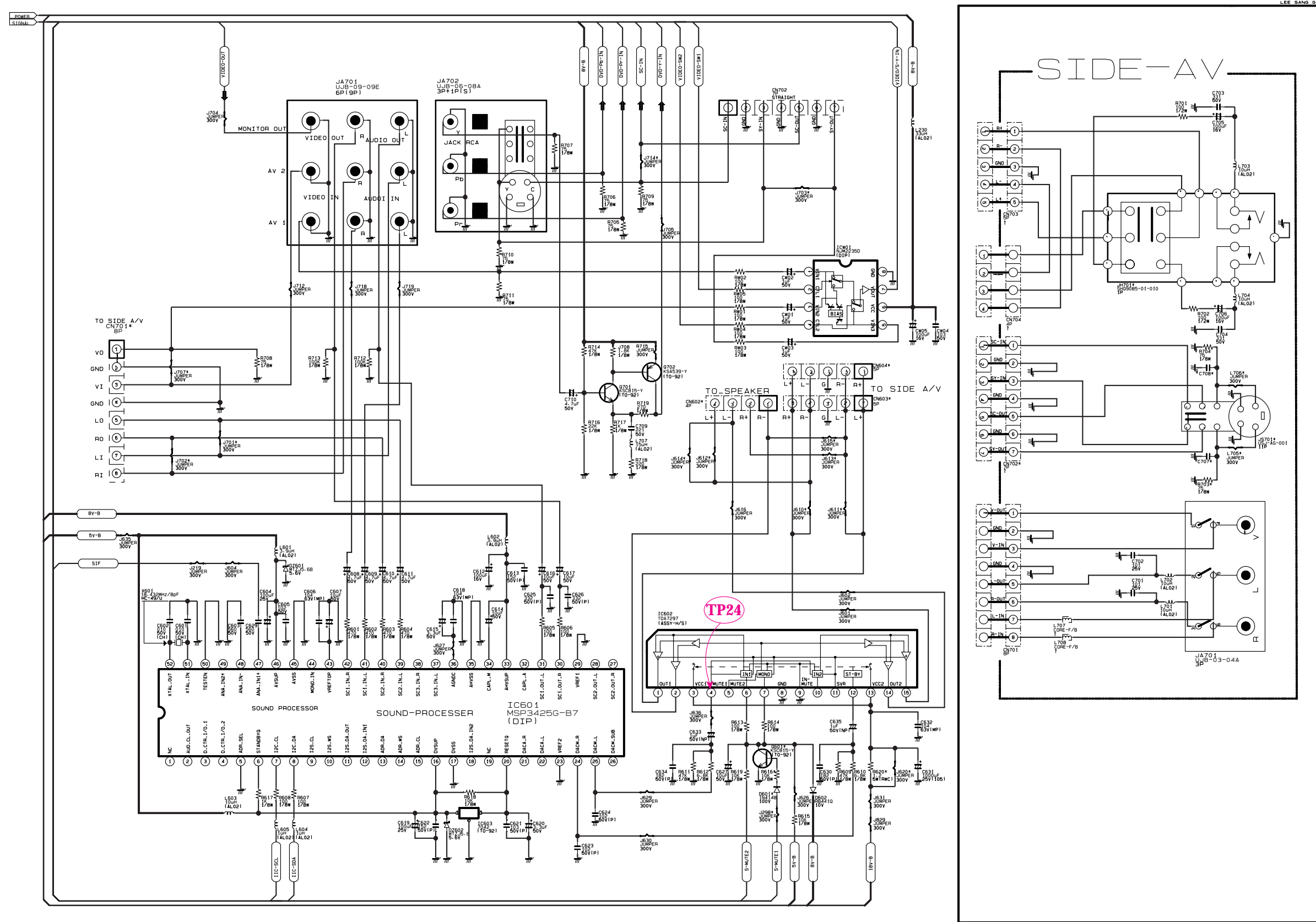
10-1 MAIN(1/3)



10-2 MAIN(2/3)



10-3 MAIN(3/3)



10-4 CRT

