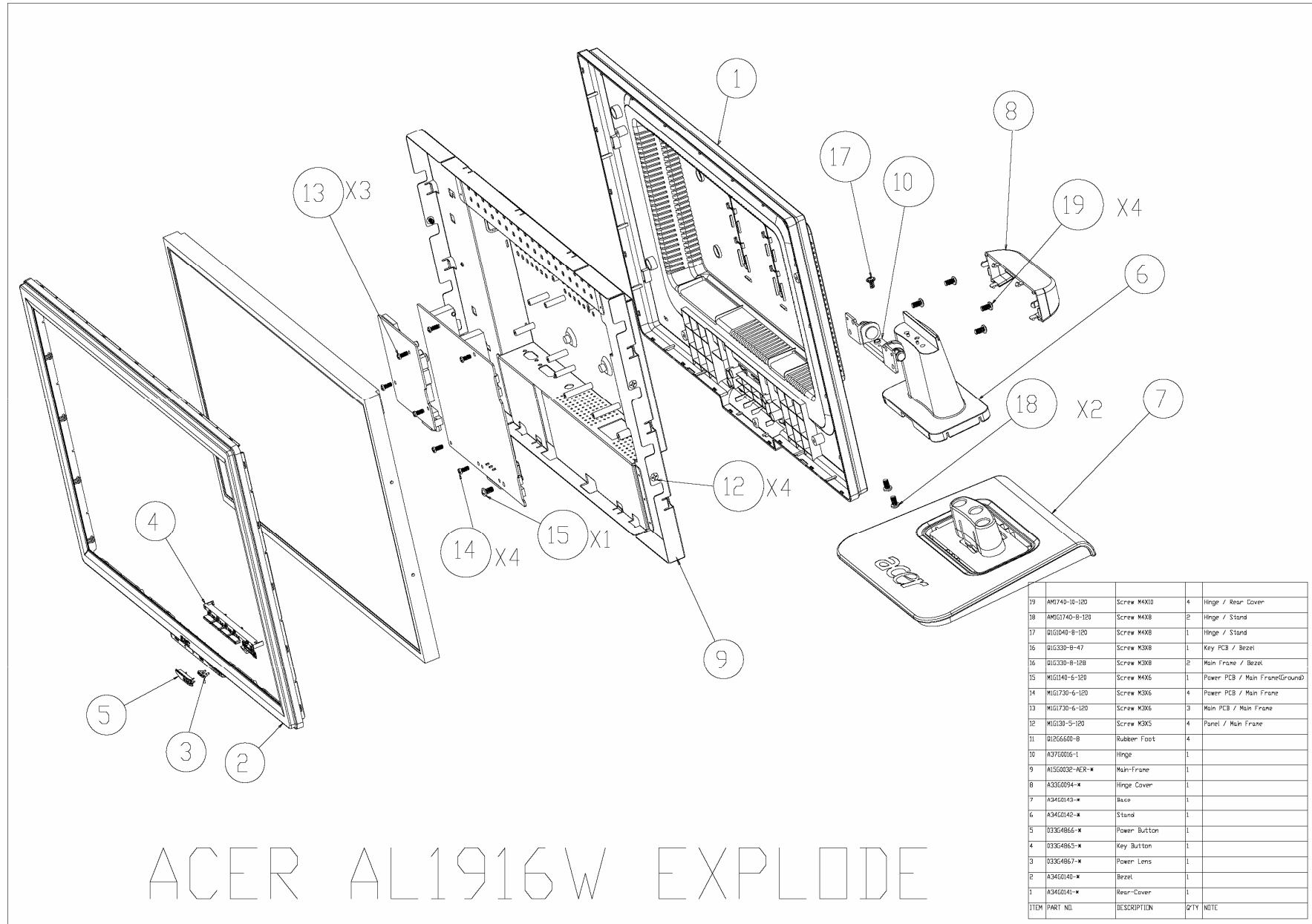



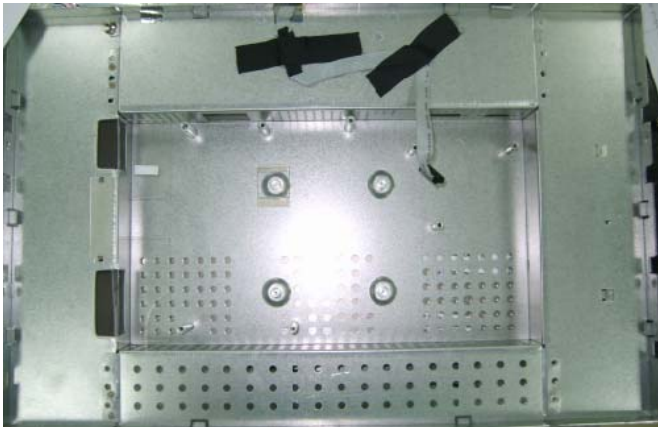
Exploded Diagram (Model: AL1916W)


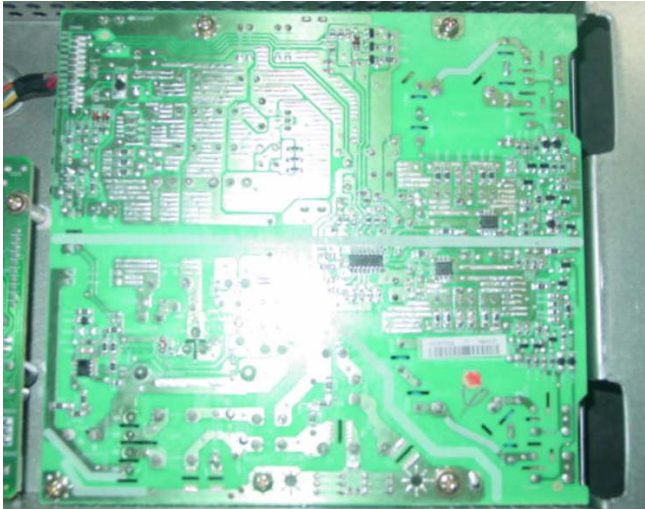



19	AMS740-10-120	Screw M4X10	4	Hinge / Rear Cover
18	AMG740-8-120	Screw M4X8	2	Hinge / Stand
17	01G1040-8-120	Screw M4X8	1	Hinge / Stand
16	01G330-8-47	Screw M3X8	1	Key PCB / Bezel
16	01G330-8-120	Screw M3X8	2	Main Frame / Bezel
15	M1G140-6-120	Screw M4X6	1	Power PCB / Main Frame(Ground)
14	M1G1730-6-120	Screw M3X6	4	Power PCB / Main Frame
13	M1G1730-6-120	Screw M3X6	3	Main PCB / Main Frame
12	M1G139-5-120	Screw M3X5	4	Panel / Main Frame
11	01266600-0	Rubber Foot	4	
10	A37G016-1	Hinge	1	
9	A1S06030-AER-*	Main-Frame	1	
8	A33G0094-*	Hinge Cover	1	
7	A34G0143-*	Bezo	1	
6	A34G0142-*	Stand	1	
5	033C4866-*	Power Button	1	
4	033C4865-*	Key Button	1	
3	033C4867-*	Power Lens	1	
2	A34G0140-*	Bezel	1	
1	A34G0141-*	Rear-Cover	1	
ITEM	PART NO.	DESCRIPTION	QTY	NOTE

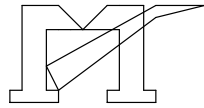
Part List

Above picture show the description of the following component.

Item	Picture	Description
1		Hinge Cover
2		Back Cover
3		stand
4		Main Frame

5		Panel
6		Power Board
7		Main Board

Main Board
Top

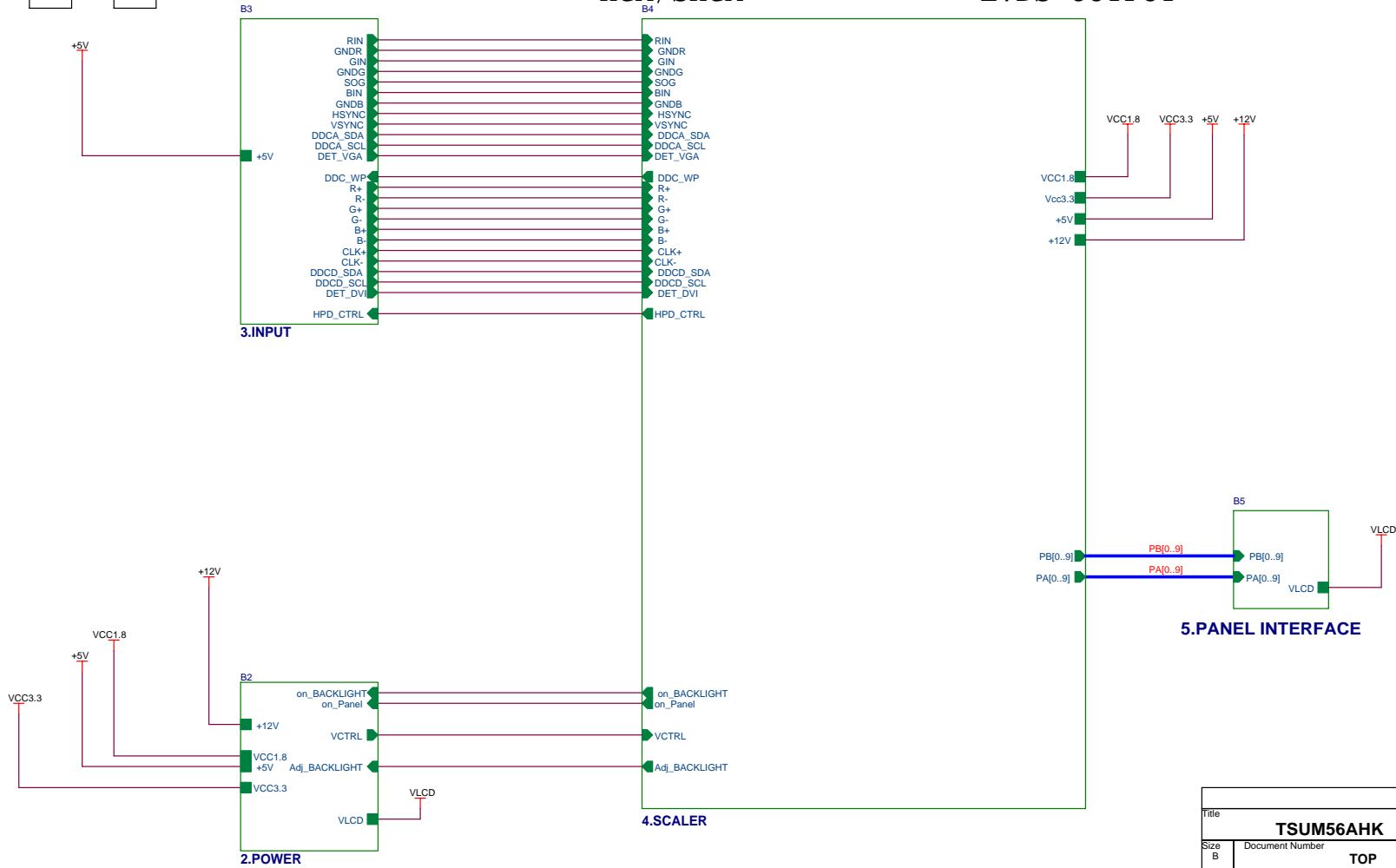


TSUM56AHK

XGA/SXGA

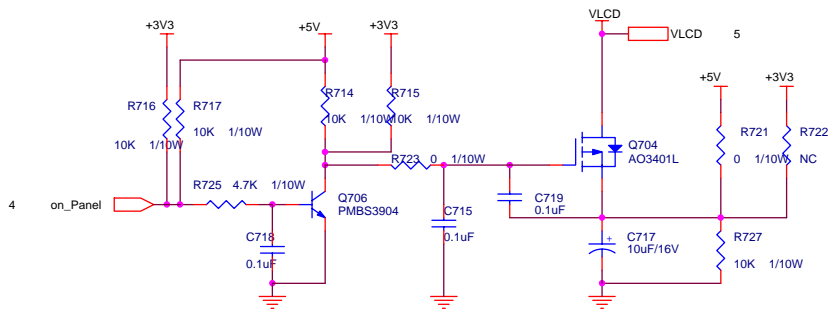
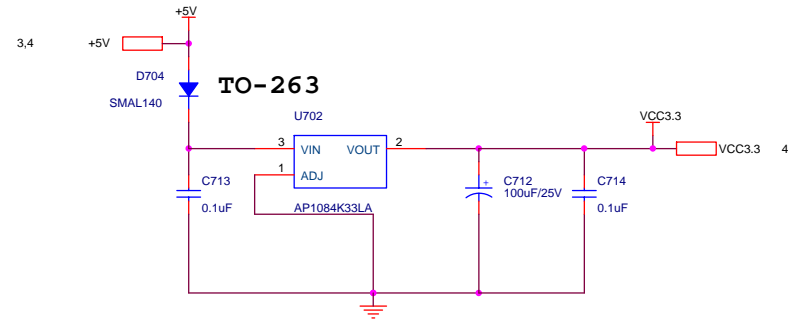
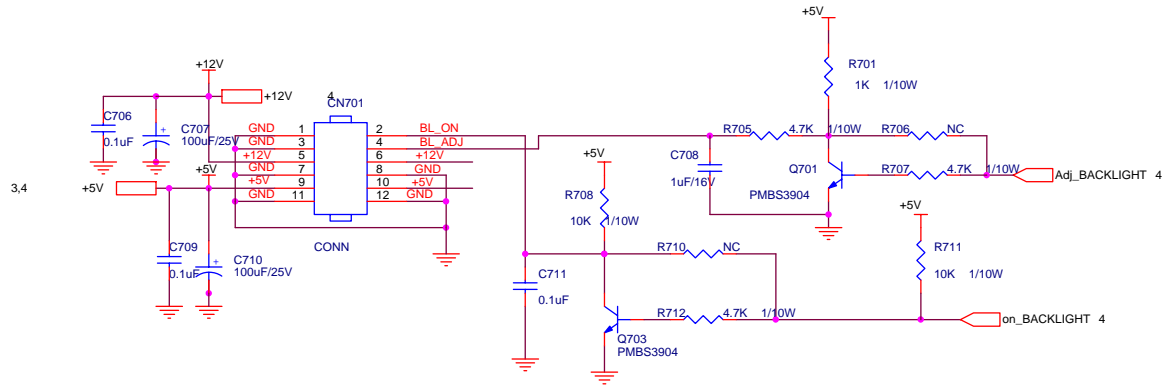
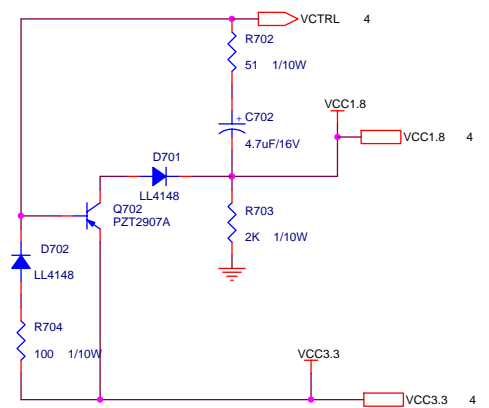
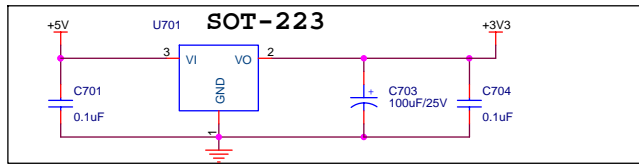
SCHEMATIC

LVDS OUTPUT



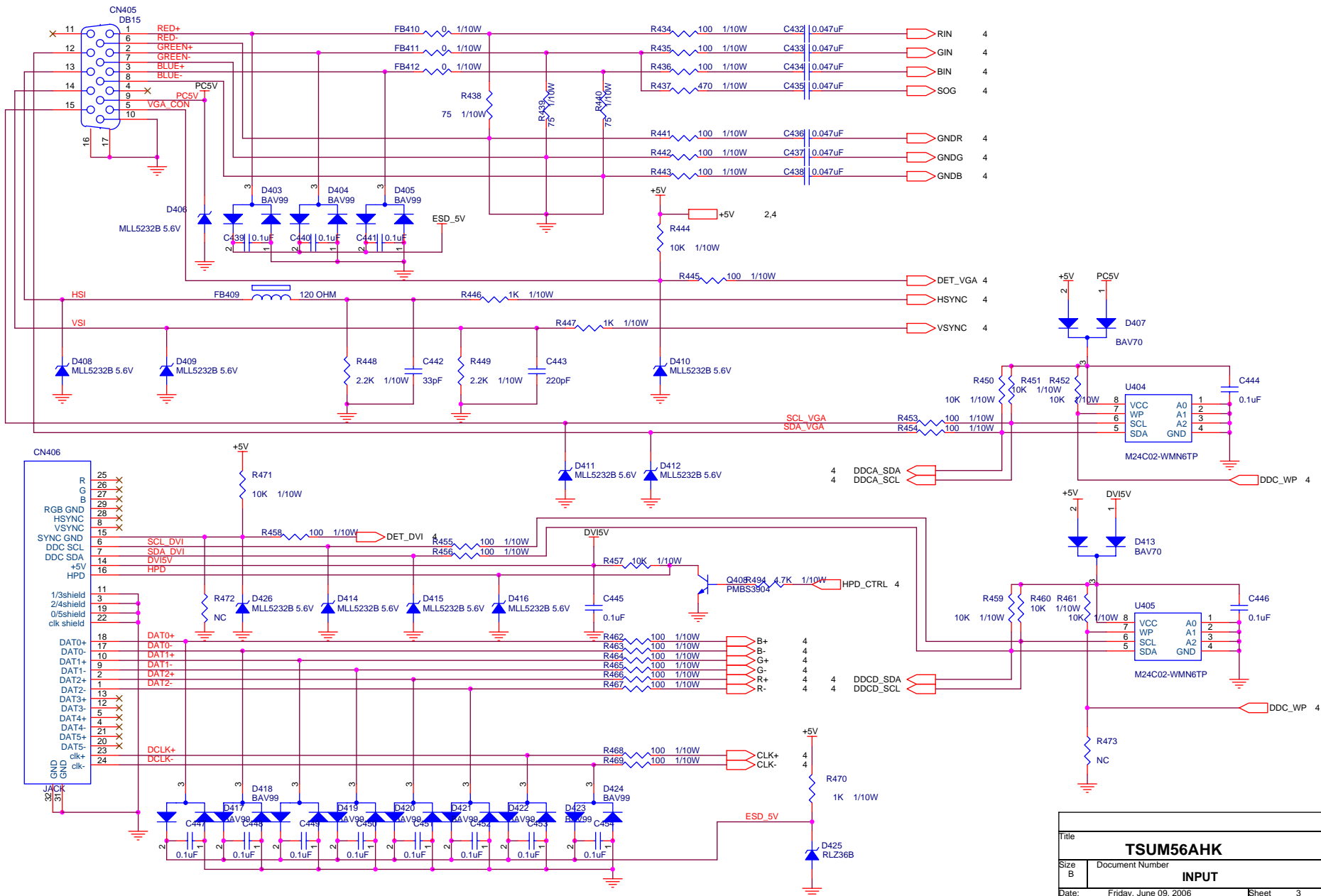
Title		
TSUM56AHK		
Size	Document Number	Rev
B	TOP	A
Date:	Wednesday, June 07, 2006	Sheet 1 of 5

Power



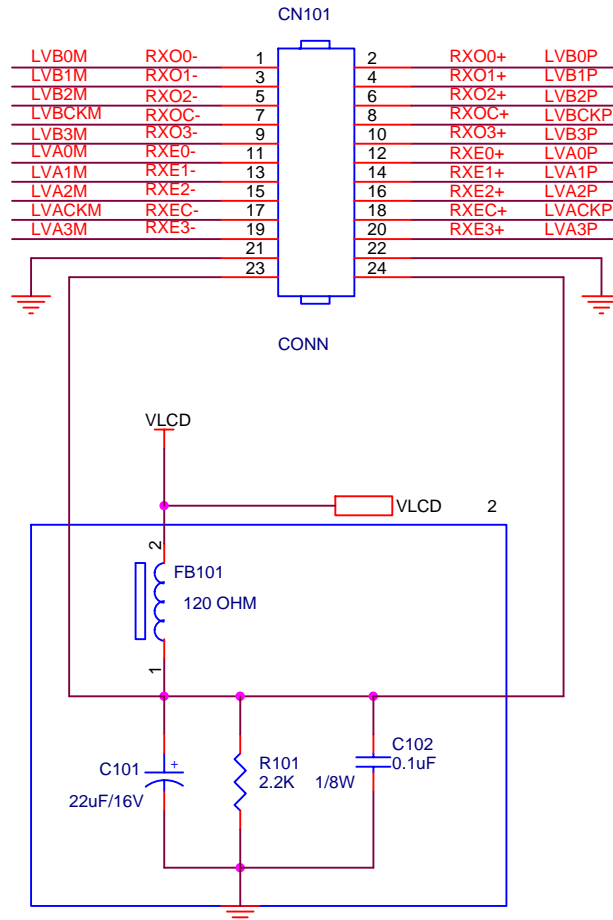
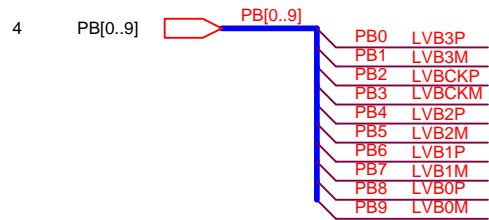
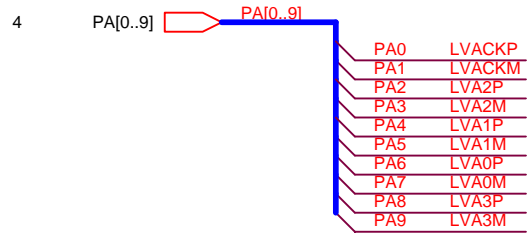
Title		
TSUM56AHK		
Size B	Document Number POWER	Rev A
Date: Friday, June 09, 2006	Sheet 2	of 5

Input



Title		
TSUM56AHK		
Size	Document Number	Rev
B	INPUT	A
Date:	Friday, June 09, 2006	Sheet 3 of 5

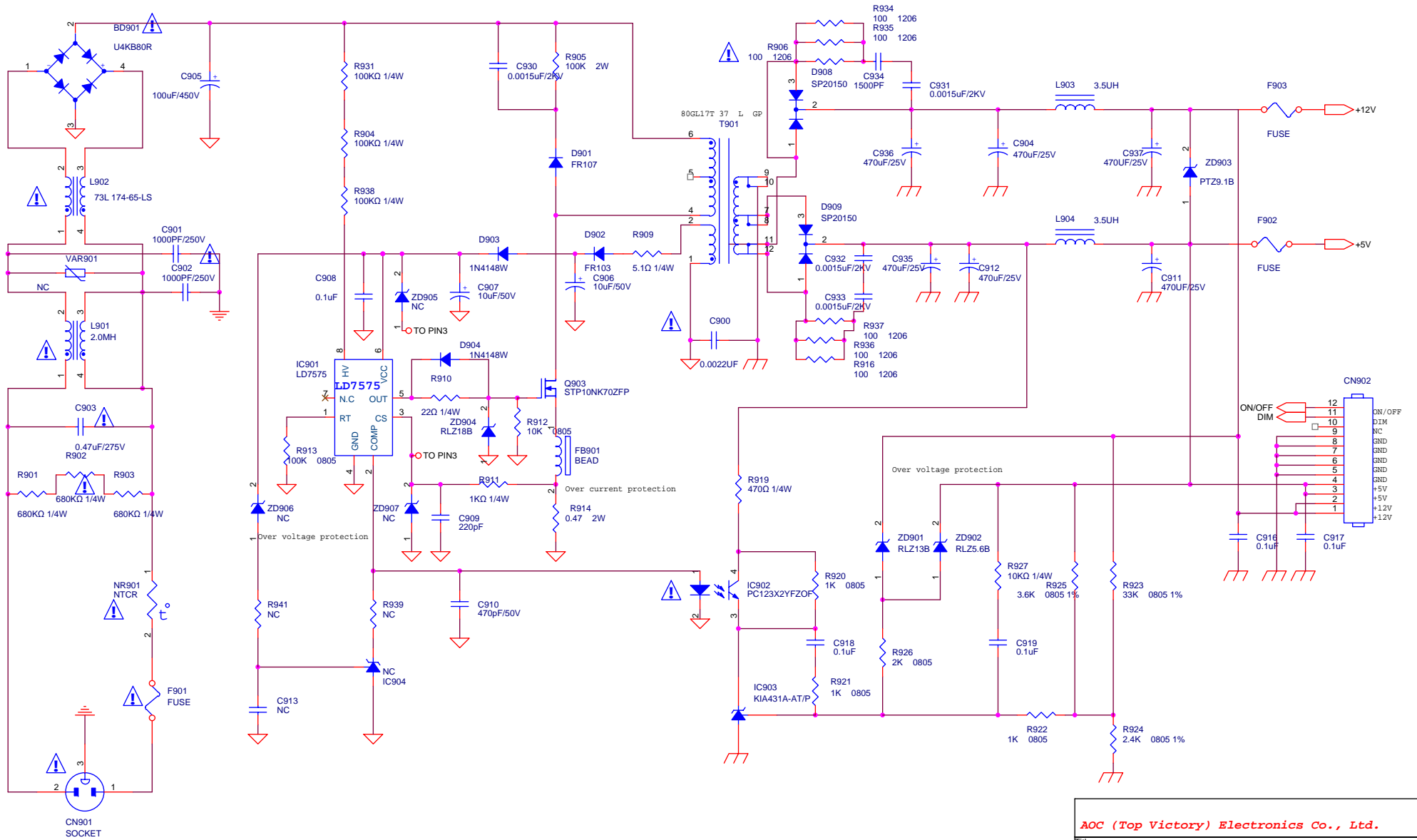
Panel Interface



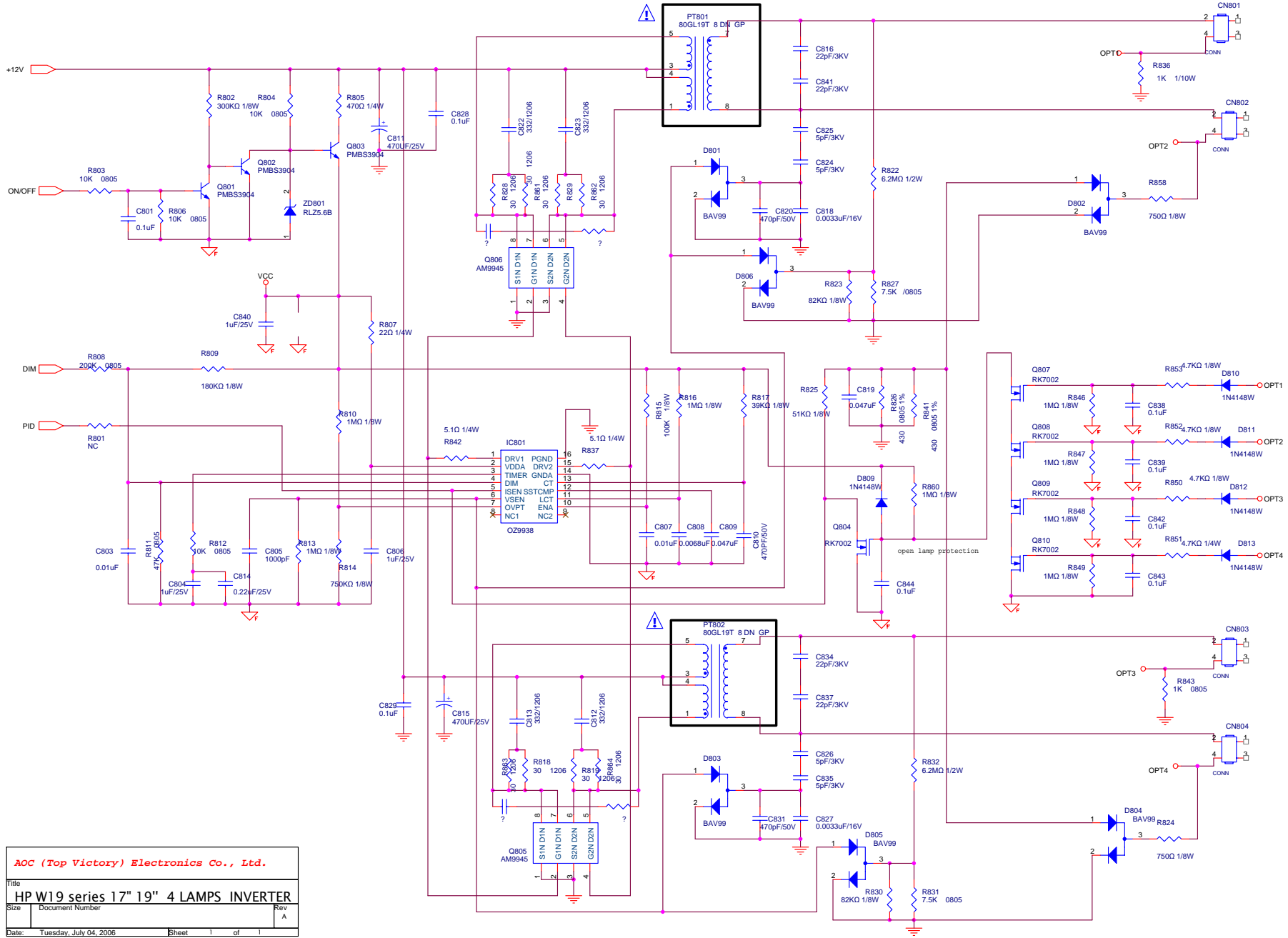
2006.05.03 add the schematic

Title		
TSUM56AHK		
Size	Document Number	Rev
A	PANEL INTERFACE	A
Date:	Friday, June 09, 2006	Sheet 5 of 5

Power board



AOC (Top Victory) Electronics Co., Ltd.		
Title 1.POWER OUTPUT 12V & 5 V		
Size	Document Number PWPC1942HH2P	Rev A
Date: Tuesday, July 04, 2006	Sheet 1	of 1



AOC (Top Victory) Electronics Co., Ltd.		
Title HP W19 series 17" 19" 4 LAMPS INVERTER		
Size	Document Number	Rev A
Date: Tuesday, July 04, 2006	Sheet 1 of 1	